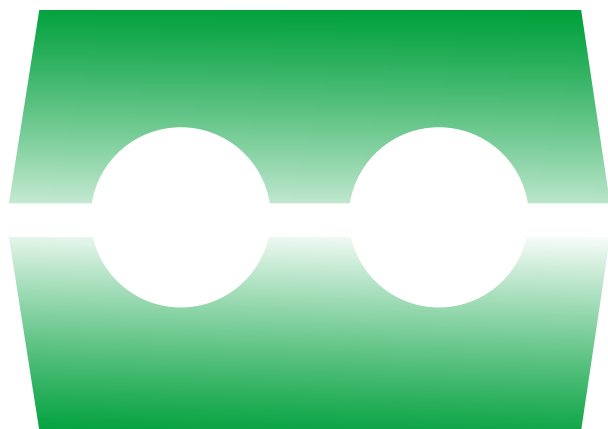
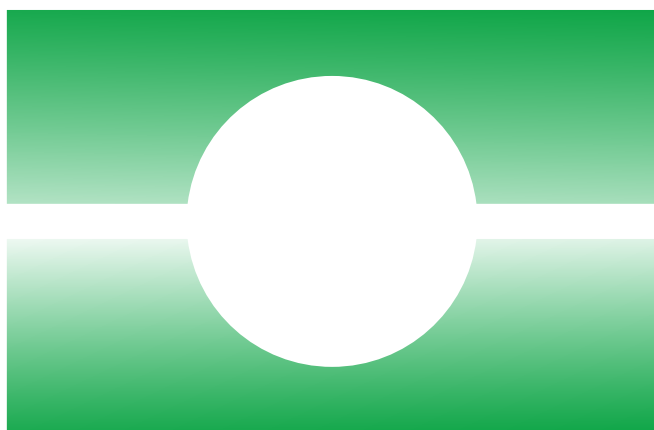


TRIDON

BETA CLAMP CATALOG

CATALOGO BETA CLAMP
BETA Rohrschellen Katalog
Catalogue Colliers BETA



INDEX / INDICE

Index / Indice.....	2
Technical Information / Informazioni Tecniche / Technische Informationen / Informations Techniques.....	3
Standard Series - DIN 3015/1	
Body / Con Solo Corpo Collare / Schellenkörper / Corps du collier.....	5
Only Bottom Part / Con Sola Piastra Inferiore / Nur Unterteil / Partie inférieure uniquement.....	7
Double Plated / Completo / Komplett / Complet.....	9
Components / Componenti / Komponenten / Composants.....	11
On Request / Su Richiesta / Auf Anfrage / Sur demande.....	15
Heavy Series - DIN 3015/2	
Body / Con Solo Corpo Collare / Schellenkörper / Corps du collier.....	17
Double Plated / Completo / Komplett / Complet.....	20
Components / Componenti / Komponenten / Composants.....	23
On Request / Su Richiesta / Auf Anfrage / Sur demande.....	26
Twin Series - DIN 3015/3	
Body Only / Solo Corpo / Nur Schellenkörper / Corps du collier.....	28
Double Plated / Completo / Komplett / Complet.....	30
Components / Componenti / Komponenten / Composants.....	32
On Request / Su Richiesta / Auf Anfrage / Sur demande.....	34
Tridon EMEA.....	35
Notes / Notizen.....	36
www.clamp.it.....	38

TECHNICAL INFORMATION

INFORMAZIONI TECNICHE / TECHNISCHE INFORMATIONEN / INFORMATIONS TECHNIQUES

COLORS / *COLORI* / *FARBEN* / *COULEURS*



GREEN - STANDARD
VERDE - STANDARD
GRÜN - STANDARD
VERT - STANDARD



BLUE - ON REQUEST
BLUE - SU RICHIESTA
BLAU - AUF ANFRAGE
BLEU - SUR DEMANDE



BLACK - ON REQUEST
BLACK - SU RICHIESTA
SCHWARZ - AUF ANFRAGE
NOIR - SUR DEMANDE

MATERIALS / *MATERIALI* / *MATERIALIEN* / *MATÉRIAUX*

POLYPROPYLENE / **POLIPROPILENE** / **POLYPROPYLEN** - STANDARD

POLYAMIDE / **POLIAMMIDE** / **POLYAMID** - ON REQUEST / SU RICHIESTA / AUF ANFRAGE / SUR DEMANDE

ALUMINIUM / **ALLUMINIO** / **ALUMINIUM** - ON REQUEST / SU RICHIESTA / AUF ANFRAGE / SUR DEMANDE

Polypropylene / **Polipropilene** / **Polypropylen** / **Polypropylène (PP)**:

Work Temperature / Arbeitstemperatur / Température de travail -30°C to +90°C

Polyamide / **Poliammide** / **Polyamid** / **Polyamide (PA)**:

Work Temperature / Arbeitstemperatur / Température de travail -40°C to +120°C

Aluminium / **Alluminio** / **Aluminium** / **Aluminium (AL)**:

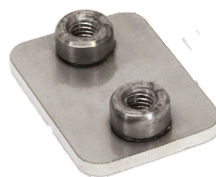
Work Temperature / Arbeitstemperatur / Température de travail up to +300°C

METAL PARTS AND ACCESSORIES

PARTI METALLICHE ED ACCESSORI / *SCHWEIßPLATTEN* / *PIECES METALLIQUES ET ACCESSORIES*



GALVANIZED STEEL - STANDARD
ACCIAIO ZINCATO - STANDARD
STAHL VERZINKT - STANDARD
ACIER GALVANISÉ - STANDARD



AISI304 - ON REQUEST
AISI304 - SU RICHIESTA
EDELSTAHL 304 - AUF ANFRAGE
AISI304 - SUR DEMANDE



AISI316 - ON REQUEST
AISI316 - SU RICHIESTA
EDELSTAHL 316 - AUF ANFRAGE
AISI316 - SUR DEMANDE

For other materials, sizes, and colours, contact the sales office at +39 02 9803211 or write to support@clamp.it

Per altri materiali, dimensioni e colori, contattare l'ufficio commerciale al +39 02 9803211 o scrivere a support@clamp.it

Für andere Materialien, Größen und Farben kontaktieren Sie das Verkaufsbüro unter +39 02 9803211 oder schreiben Sie an support@clamp.it.

Pour d'autres matériaux, tailles et couleurs, contactez le bureau de vente au +39 02 9803211 ou écrivez à support@clamp.it.

The information indicated may be subject to change without notice.

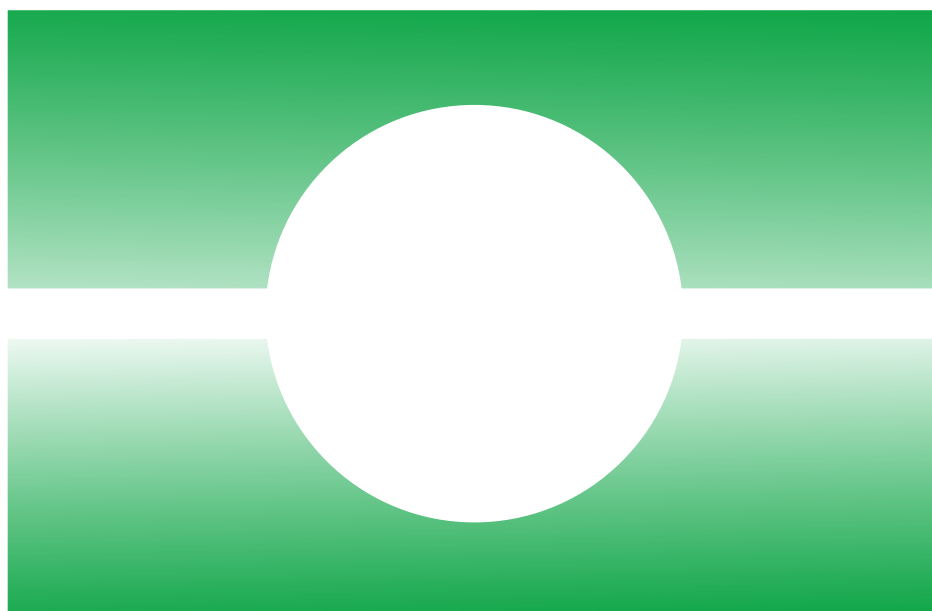
Le informazioni indicate possono subire variazioni senza preavviso.

Die angegebenen Informationen können ohne vorherige Ankündigung geändert werden.

Les informations indiquées peuvent être modifiées sans préavis.

STANDARD SERIES DIN 3015/1

SERIE STANDARD DIN 3015/1



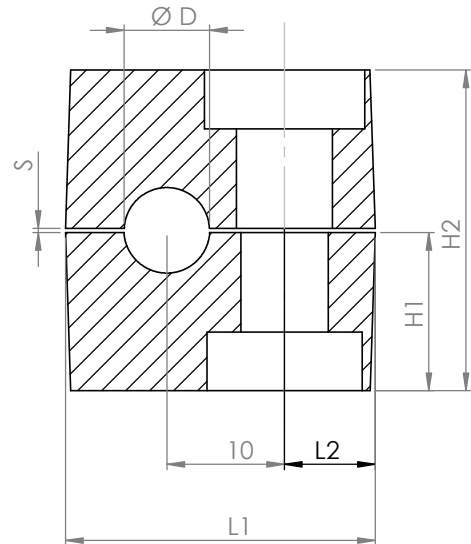
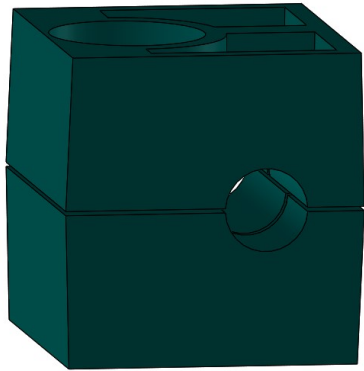
STANDARD SERIES - BODY

SERIE STANDARD CON SOLO CORPO COLLARE

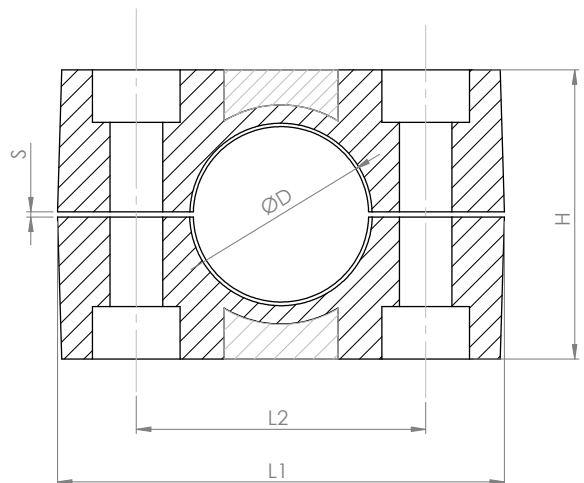
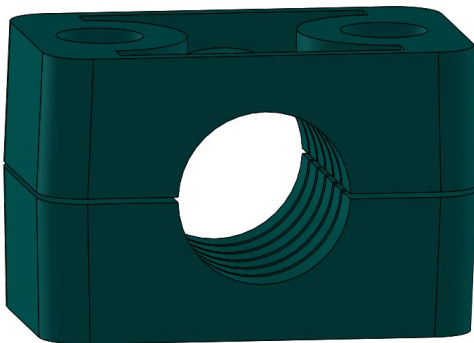
STANDARD-SERIE - SCHELLENKÖRPER

SERIE STANDARD - CORPS

G0



G1-G7



STANDARD SERIES - BODY

CONTINUED

Group	Tridon Code	Ø mm	Ø inch	Dimension					Pkg.
				L1	L2	H1	H2	S min.	
G0	BTSG0006B	6		28	9.5	13	26	0.4	100
	BTSG00064B	6.4							100
	BTSG0008B	8							100
	BTSG00095B	9.5							100
	BTSG0010B	10	1/8"						100
	BTSG0012B	12							100
G1	BTSG1006B	6		37	20	13.5	27	0.4	100
	BTSG10064B	6.4							100
	BTSG1008B	8							100
	BTSG10095B	9.5							100
	BTSG1010B	10	1/8"						100
	BTSG1012B	12							100
G2	BTSG20127B	12.7		42	26	16.5	33	0.6	100
	BTSG20135B	13.5	1/4"						100
	BTSG2014B	14							100
	BTSG2015B	15							100
	BTSG2016B	16							100
	BTSG20172B	17.2	3/8"						100
	BTSG2018B	18							100
G3	BTSG3019B	19		50	33	18	36	0.6	100
	BTSG3020B	20							100
	BTSG30213B	21.3	1/2"						100
	BTSG3022B	22							100
	BTSG3025B	25							100
	BTSG30254B	25.4							100
G4	BTSG40269B	26.9	3/4"	59.0	40	21	42	0.6	50
	BTSG4028B	28							50
	BTSG40286B	28.6							50
	BTSG4030B	30							50
	BTSG4032B	32							50
G5	BTSG5032B	32		71	52	28	54	0.8	50
	BTSG50337B	33.7	1"						50
	BTSG5035B	35							50
	BTSG5038B	38							50
	BTSG5040B	40							50
	BTSG50413B	41.3							50
	BTSG5042B	42	1-1/4"						50
G6	BTSG60445B	44.5		86	66	32.2	66	0.8	50
	BTSG60483B	48.3	1-1/2"						50
	BTSG60508B	50.8							50
	BTSG6054B	54							50
G7	BTSG70572B	57.2		121	94	46.5	94	0.8	25
	BTSG70603B	60.3	2"						25
	BTSG70635B	63.5							25
	BTSG7066B	66							25
	BTSG7070B	70							25
	BTSG7073B	73							25
	BTSG70761B	76.1	2-1/2"						25

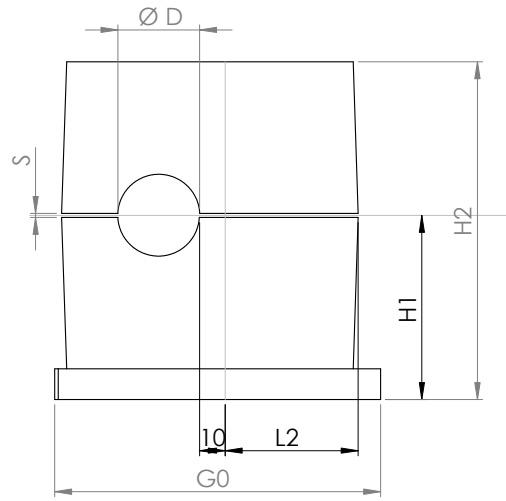
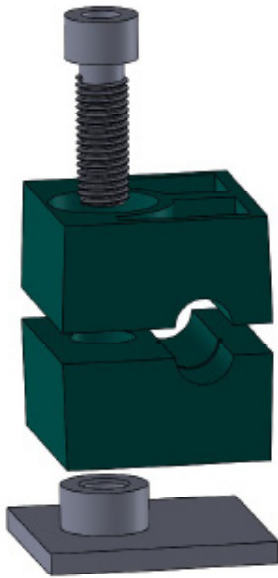
STANDARD SERIES - ONLY BOTTOM PART

SERIE STANDARD CON SOLA PIASTRA INFERIORE

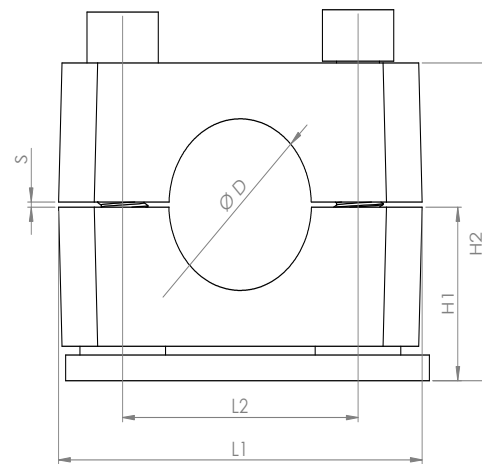
STANDARD SERIE - NUR UNTERER TEIL

SERIE STANDARD - PARTIE INFÉRIEURE UNIQUEMENT

G0



G1-G7



STANDARD SERIES - ONLY BOTTOM PART

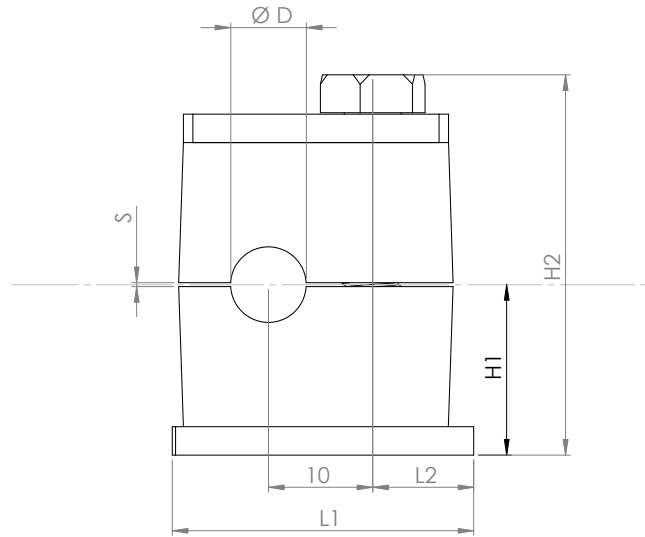
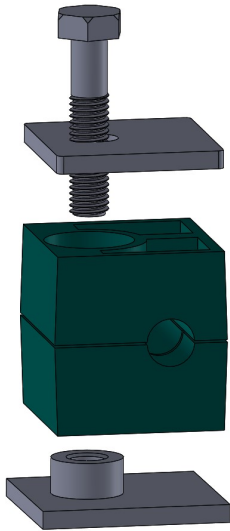
CONTINUED

Group	Tridon Code	Ø mm	Ø inch	Dimension					Pkg.
				L1	L2	H1	H2	S min.	
G0	BTSG0006L	6		30.0	9.5	16	29	0.4	30
	BTSG00064L	6.4							30
	BTSG0008L	8							30
	BTSG00095L	9.5							30
	BTSG0010L	10	1/8"						30
	BTSG0012L	12							30
G1	BTSG1006L	6		38.0	20	16.5	30	0.4	30
	BTSG10064L	6.4							30
	BTSG1008L	8							30
	BTSG10095L	9.5							30
	BTSG1010L	10	1/8"						30
	BTSG1012L	12							30
G2	BTSG20127L	12.7		42	26	19.5	36	0.6	25
	BTSG20135L	13.5	1/4"						25
	BTSG2014L	14							25
	BTSG2015L	15							25
	BTSG2016L	16							25
	BTSG20172L	17.2	3/8"						25
	BTSG2018L	18							25
G3	BTSG3019L	19		51.5	33	21	39	0.6	25
	BTSG3020L	20							25
	BTSG30213L	21.3	1/2"						25
	BTSG3022L	22							25
	BTSG3025L	25							25
	BTSG30254L	25.4							25
G4	BTSG40269L	26.9	3/4"	60	40	24	45	0.6	15
	BTSG4028L	28							15
	BTSG40286L	28.6							15
	BTSG4030L	30							15
	BTSG4032L	32							15
G5	BTSG5032L	32		72.0	52	30	57	0.8	20
	BTSG50337L	33.7	1"						20
	BTSG5035L	35							20
	BTSG5038L	38							20
	BTSG5040L	40							20
	BTSG50413L	41.3							20
	BTSG5042L	42	1-1/4"						20
G6	BTSG60445L	44.5		86.5	66	36	69	0.8	15
	BTSG60483L	48.3	1-1/2"						15
	BTSG60508L	50.8							15
	BTSG6054L	54							15
G7	BTSG70572L	57.2		122	94	49.5	99	0.8	10
	BTSG70603L	60.3	2"						10
	BTSG70635L	63.5							10
	BTSG7066L	66							10
	BTSG7070L	70							10
	BTSG7073L	73							10
	BTSG70761L	76.1	2-1/2"						10

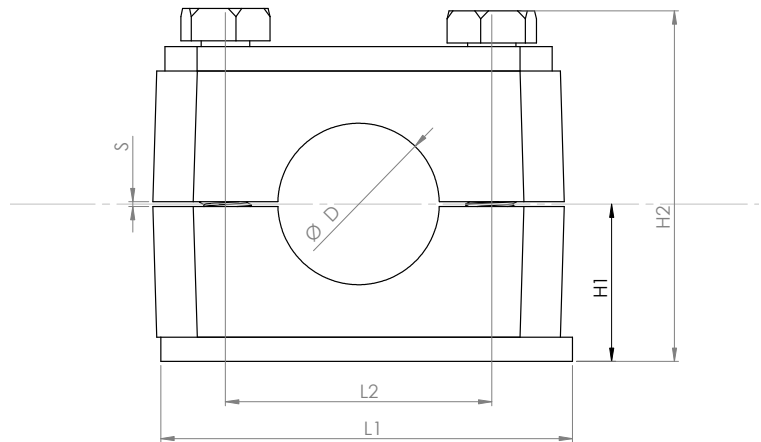
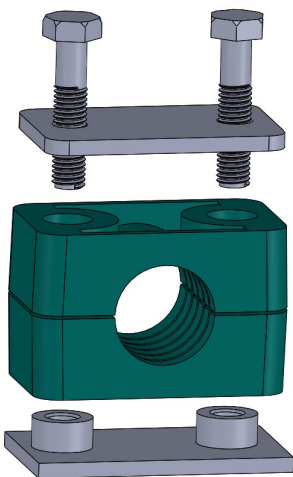
STANDARD SERIES - DOUBLE PLATED

SERIE STANDARD COMPLETO
STANDARD SERIE - KOMPLETT
SERIE STANDARD COMPLET

G0



G1-G7



STANDARD SERIES - DOUBLE PLATED

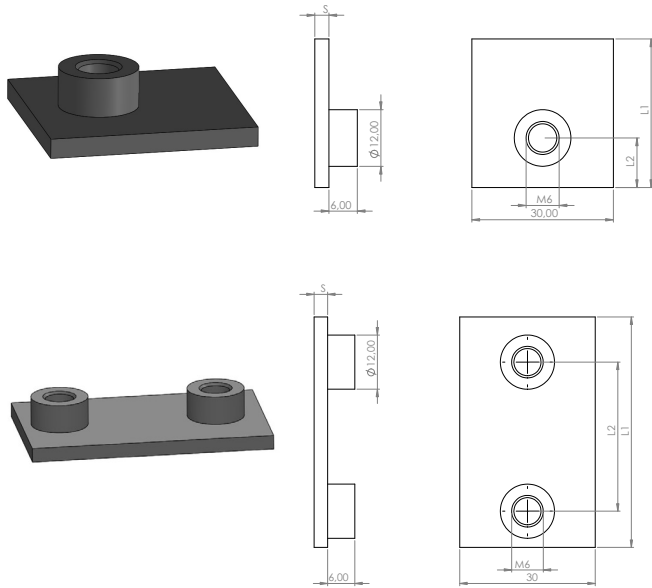
CONTINUED

Group	Tridon Code	Ø mm	Ø inch	Dimension					Pkg.
				L1	L2	H1	H2	S min.	
G0	BTSG0006C	6		30.0	9.5	16.5	36	0.4	30
	BTSG00064C	6.4							30
	BTSG0008C	8							30
	BTSG00095C	9.5							30
	BTSG0010C	10	1/8"						30
	BTSG0012C	12							30
G1	BTSG1006C	6		38.0	20	16.5	37	0.4	30
	BTSG10064C	6.4							30
	BTSG1008C	8							30
	BTSG10095C	9.5							30
	BTSG1010C	10	1/8"						30
	BTSG1012C	12							30
G2	BTSG20127C	12.7		42.0	26	19.5	43	0.6	25
	BTSG20135C	13.5	1/4"						25
	BTSG2014C	14							25
	BTSG2015C	15							25
	BTSG2016C	16							25
	BTSG20172C	17.2	3/8"						25
	BTSG2018C	18							25
G3	BTSG3019C	19		51.5	33	21	46	0.6	25
	BTSG3020C	20							25
	BTSG30213C	21.3	1/2"						25
	BTSG3022C	22							25
	BTSG3025C	25							25
	BTSG30254C	25.4							25
G4	BTSG40269C	26.9	3/4"	60	40	24	52	0.6	15
	BTSG4028C	28							15
	BTSG40286C	28.6							15
	BTSG4030C	30							15
	BTSG4032C	32							15
G5	BTSG5032C	32		72.0	52	32	68	0.8	20
	BTSG50337C	33.7	1"						20
	BTSG5035C	35							20
	BTSG5038C	38							20
	BTSG5040C	40							20
	BTSG50413C	41.3							20
	BTSG5042C	42	1-1/4"						20
G6	BTSG60445C	44.5		86.5	66	36	76	0.8	15
	BTSG60483C	48.3	1-1/2"						15
	BTSG60508C	50.8							15
	BTSG6054C	54							15
G7	BTSG70572C	57.2		122	94	49.5	110	0.8	10
	BTSG70603C	60.3	2"						10
	BTSG70635C	63.5							10
	BTSG7066C	66							10
	BTSG7070C	70							10
	BTSG7073C	73							10
	BTSG70761C	76.1	2-1/2"						10

STANDARD SERIES - COMPONENTS

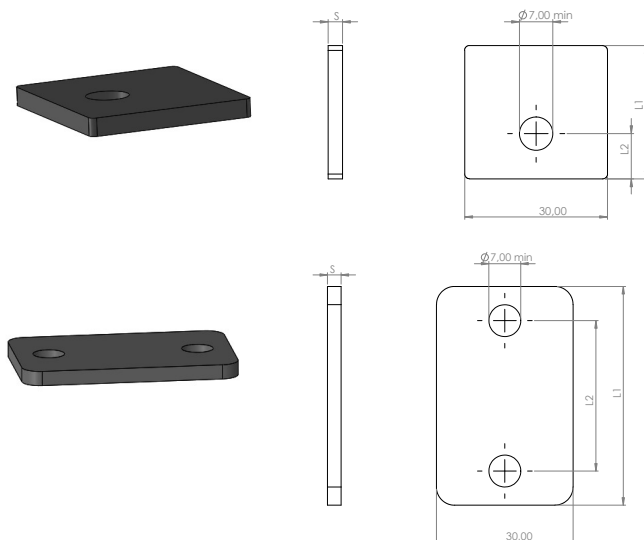
SERIE STANDARD - COMPONENTI
 STANDARD-SERIE - KOMPONENTEN
 SERIE STANDARD - COMPOSANTS

WELD PLATE PIASTRA A SILDARE SCHWEIßPLATTE PLAQUE SOUDEE



Group	Tridon Code	Dimension			
		L1 mm	L2 mm	S mm	Hole
G0	BTSWG0	30.0	10.5	3	M6
G1	BTSWG1	35.0	20.0	3	M6
G2	BTSWG2	42.0	26.0	3	M6
G3	BTSWG3	51.5	33.0	3	M6
G4	BTSWG4	60.0	40.0	3	M6
G5	BTSWG5	72.2	52.0	3	M6
G6	BTSWG6	86.5	66.0	3	M6
G7	BTSWG7	122.0	94.0	5	M6

COVER PLATE PIASTRA SUPERIORE ABDECKPLATTE PLAQUE SUPERIEURE



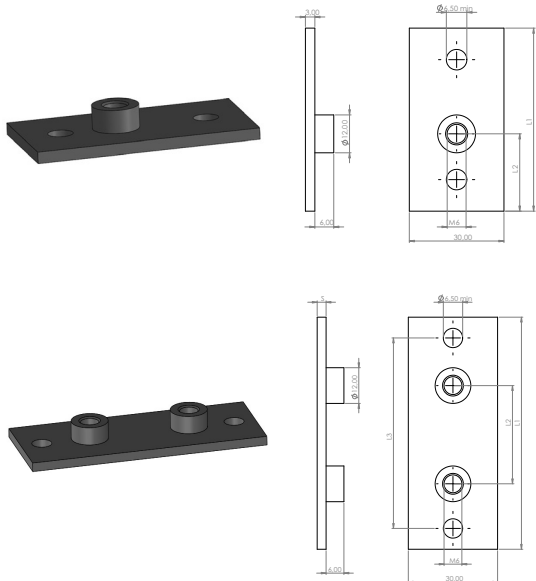
Group	Tridon Code	Dimension			
		L1 mm	L2 mm	S mm	Hole
G0	BTSCG0	28.0	10.5	3	7
G1	BTSCG1	36.0	20.0	3	7
G2	BTSCG2	42.0	26.0	3	7
G3	BTSCG3	50.0	33.0	3	7
G4	BTSCG4	58.0	40.0	3	7
G5	BTSCG5	70.0	52.0	3	7
G6	BTSCG6	84.0	66.0	3	7
G7	BTSCG7	118.0	94.0	5	7

STANDARD SERIES - COMPONENTS

CONTINUED

ELONGATED WELD PLATE

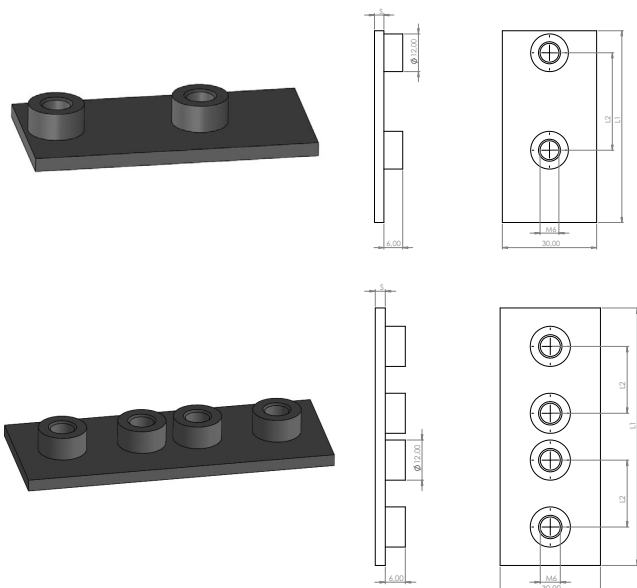
PIASTRA A SALDARE LUNGA
 LANGE SCHWEIßPLATTE
 PLAQUE SOUDÉE ALLONGÉE



Group	Tridon Code	Dimension				
		L1 mm	L2 mm	L3 mm	S mm	Hole
G0	BTSWLG0	58.0	24.5	44.0	3	M6
G1	BTSWLG1	69.0	20.0	50.0	3	M6
G2	BTSWLG2	75.0	26.0	56.0	3	M6
G3	BTSWLG3	82.0	33.0	64.0	3	M6
G4	BTSWLG4	89.0	40.0	73.0	3	M6
G5	BTSWLG5	101.0	52.0	86.0	3	M6
G6	BTSWLG6	115.0	66.0	100.0	3	M6
G7	BTSWLG7	150.0	94.0	136.0	5	M6

TWIN WELD PLATE

PIASTRA A SALDARE DOPPIA
 DOPPELTE SCHWEIßPLATTE
 PLAQUE SOUDEE DOUBLE



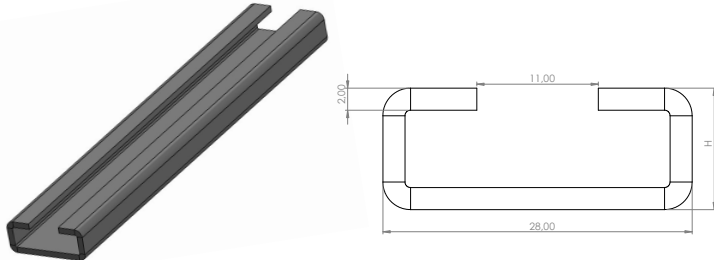
Group	Tridon Code	Dimension			
		L1 mm	L2 mm	S mm	Hole
G0	BTSWTG0	61.0	31.0	3	M6
G1	BTSWTG1	77.0	20.0	3	M6
G2	BTSWTG2	90.0	26.0	3	M6
G3	BTSWTG3	105.0	33.0	3	M6
G4	BTSWTG4	120.0	40.0	3	M6
G5	BTSWTG5	147.0	52.0	3	M6
G6	BTSWTG6	178.0	66.0	3	M6

STANDARD SERIES - COMPONENTS

CONTINUED

MOUNTING RAIL

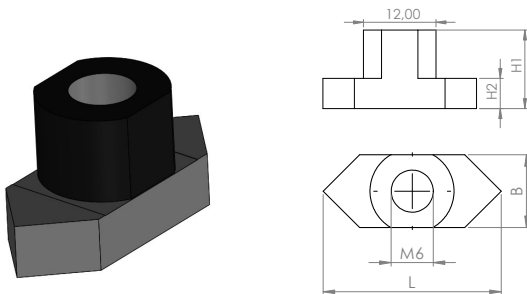
BINARIO DI MONTAGGIO
MONTAGESCHIENE
RAIL DE FIXATION



Group	Tridon Code	Dimension	
		H mm	Length (mm)
ON REQUEST	BTSWG01MT	30.0	1000.0
ON REQUEST	BTSWG02MT	30.0	2000.0
ON REQUEST	BTSWG03MT	30.0	3000.0

RAIL NUT

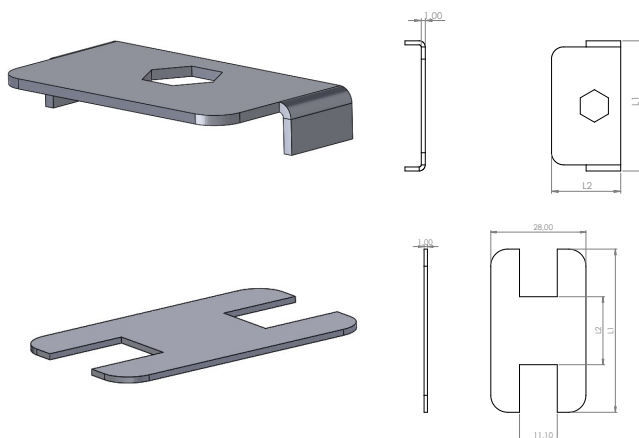
DADO FISSAGGIO PER BINARIO
SCHIENENBEFESTIGUNGSMUTTER
ÉCROU DE FIXATION DU RAIL



Group	Tridon Code	Dimension				
		L mm	B mm	H1 mm	H2 mm	Hole
TUTTI I GRUPPI ALL GROUPS	BTSCNM6	25.0	10.4	13.0	5.0	M6

SAFETY LOCKING PLATE

PIASTRA DI SICUREZZA SUPERIORE
SICHERHEITSVERRIEGELUNGSPLATTE
PLAQUE DE VERROUILLAGE DE SÉCURITÉ



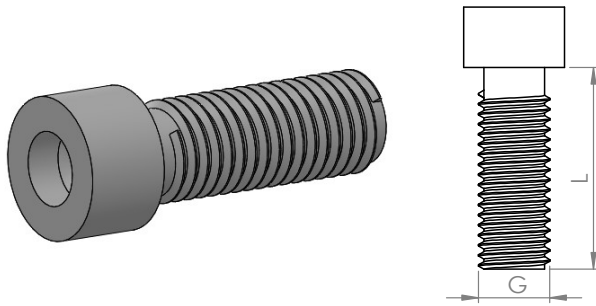
Group	Tridon Code	Dimension	
		L1 mm	L2 mm
G0	BTSFPG0	32.0	16.0
G1	BTSFPG1	34.0	7.0
G2	BTSFPG2	40.0	13.0
G3	BTSFPG3	50.0	18.0
G4	BTSFPG4	56.0	25.0
G5	BTSFPG5	69.0	37.0
G6	BTSFPG6	85.0	52.0
G7	BTSFPG7	117.0	81.0

STANDARD SERIES - COMPONENTS

CONTINUED

SOCKET CAP SCREW - ISO 4762

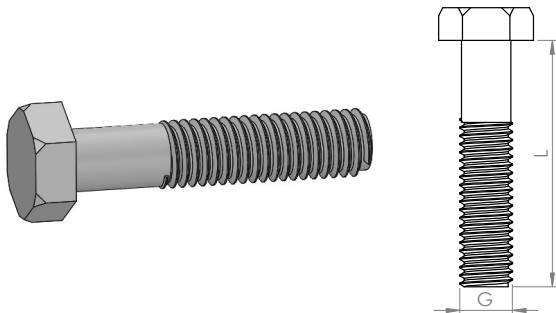
VITE M6 TESTA CILINDRICA ESAGONO INCASSATO
 INNENSECHSKANTSCHRAUBE - ISO 4762
 VIS À TÊTE CYLINDRIQUE - ISO 4762



Group	Tridon Code	Dimension	
		G	L mm
G0	BTSCSBG0	M6	20.0
G1	BTSCSBG1	M6	20.0
G2	BTSCSBG2	M6	25.0
G3	BTSCSBG3	M6	30.0
G4	BTSCSBG4	M6	35.0
G5	BTSCSBG5	M6	50.0
G6	BTSCSBG6	M6	60.0
G7	BTSCSBG7	M6	90.0

HEXAGON HEAD BOLT DIN 931/933 - ISO 4014

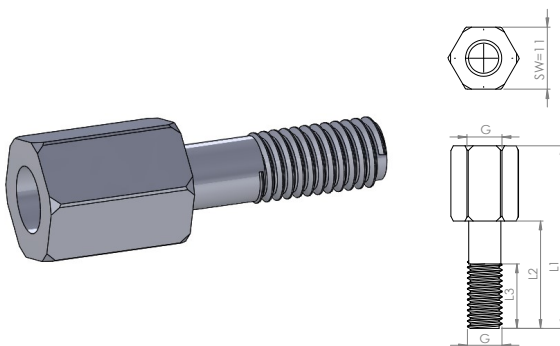
BULLONE TESTA ESAGONALE DIN 931/933 - ISO 4014
 M6 SECHSKANTSCHRAUBE DIN 931/933 - ISO 4014
 BOULON À TÊTE HEXAGONALE DIN 931/933 - ISO 4014



Group	Tridon Code	Dimension	
		G	L mm
G0	BTHBG0	M6	30.0
G1	BTHBG1	M6	30.0
G2	BTHBG2	M6	35.0
G3	BTHBG3	M6	40.0
G4	BTHBG4	M6	45.0
G5	BTHBG5	M6	60.0
G6	BTHBG6	M6	70.0
G7	BTHBG7	M6	100.0

STAKING BOLT

BULLONE TESTA ESAGONALE
 SECHSKANTSCHRAUBE
 BOULON D'ANCRAGE



Group	Tridon Code	Dimension			
		G	L1 mm	L2 mm	L3 mm
G0	BTSSTKBG0	M6	34.0	20.0	12.0
G1	BTSSTKBG1	M6	34.0	20.0	12.0
G2	BTSSTKBG2	M6	39.0	25.0	12.0
G3	BTSSTKBG3	M6	44.0	30.0	12.0
G4	BTSSTKBG4	M6	48.0	35.0	12.0
G5	BTSSTKBG5	M6	64.0	50.0	12.0
G6	BTSSTKBG6	M6	74.0	60.0	12.0
G7	BTSSTKBG7	M6	102.0	80.0	12.0

STANDARD SERIES - ON REQUEST

SERIE STANDARD - ALTRE TIPOLOGIE SU RICHIESTA

STANDARD-SERIE - ANDERE TYPEN AUF ANFRAGE

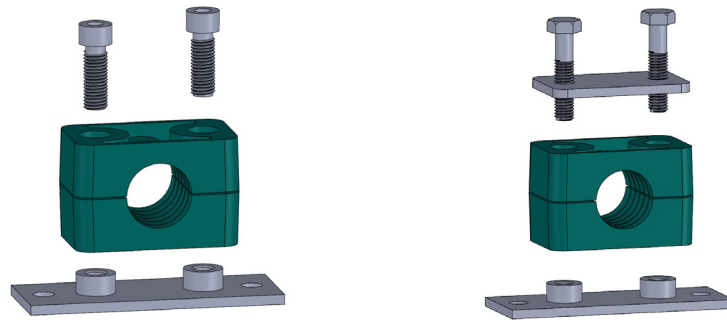
SERIE STANDARD SUR DEMANDE

VERSIONS WITH ELONGATED WELD PLATE

VERSIONI CON PIASTRA A SALDARE LUNGA

VERSIONEN MIT LÄNGSSCHWEIßPLATTE

VERSIONS LONGUES DES PLAQUES SOUDEES

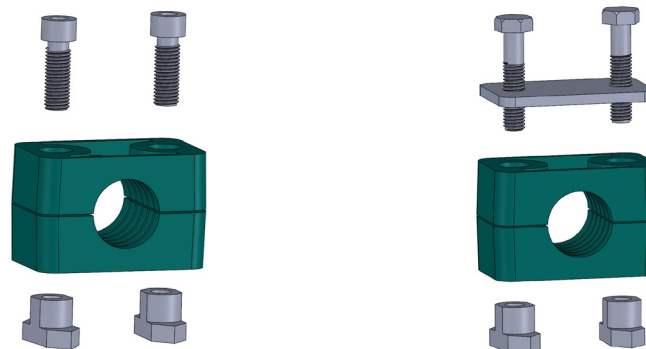


VERSIONS WITH RAIL NUT

VERSIONI CON DADO PER FISSAGGIO SU BINARIO

VERSIONEN MIT SCHIENENMUTTER

VERSIONS AVEC ECROU POUR RAIL

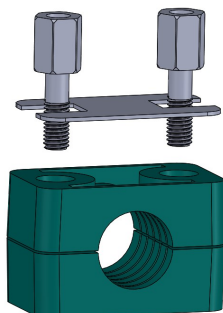


COLLARS WITH COVER SET

VERSIONI CON PIASTRA SOVRAPPONIBILE

VERSIONEN MIT ABDECKSATZ

VERSIONS AVEC PLAQUE SUPERPOSABLE

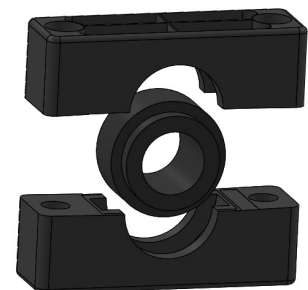


COLLARS WITH ELASTOMER

VERSIONE CON ELASTOMERO

VERSIONEN MIT ELASTOMER

VERSIONS AVEC ELASTOMERE

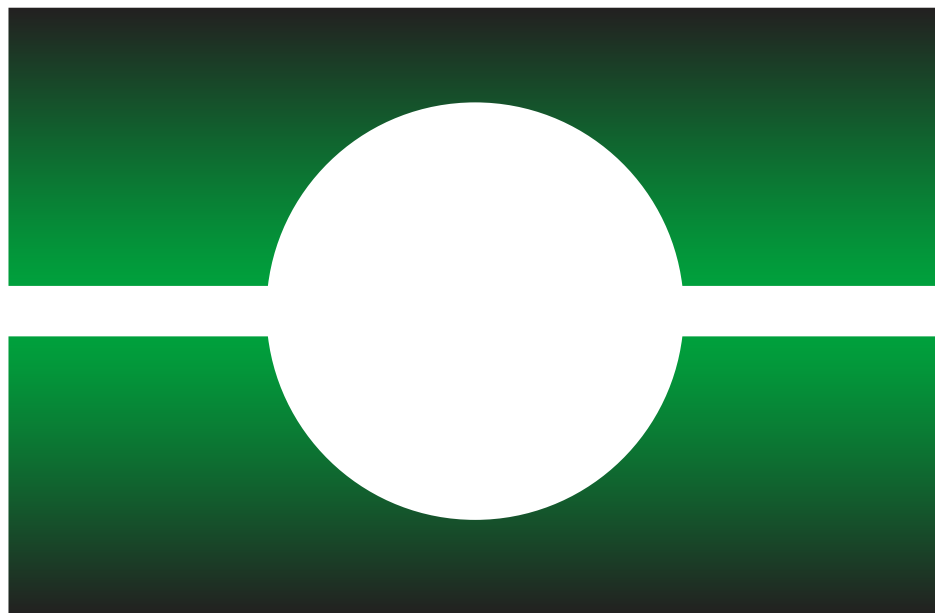


HEAVY SERIES DIN 3015/2

SERIE PESANTE DIN 3015/2

HEAVY SERIE DIN3015/2

SERIE HEAVY DIN 3015/2

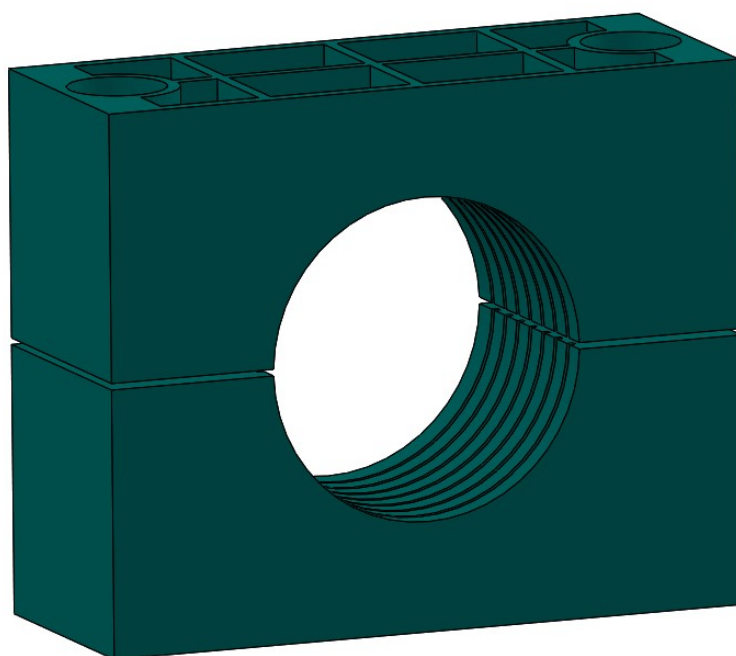
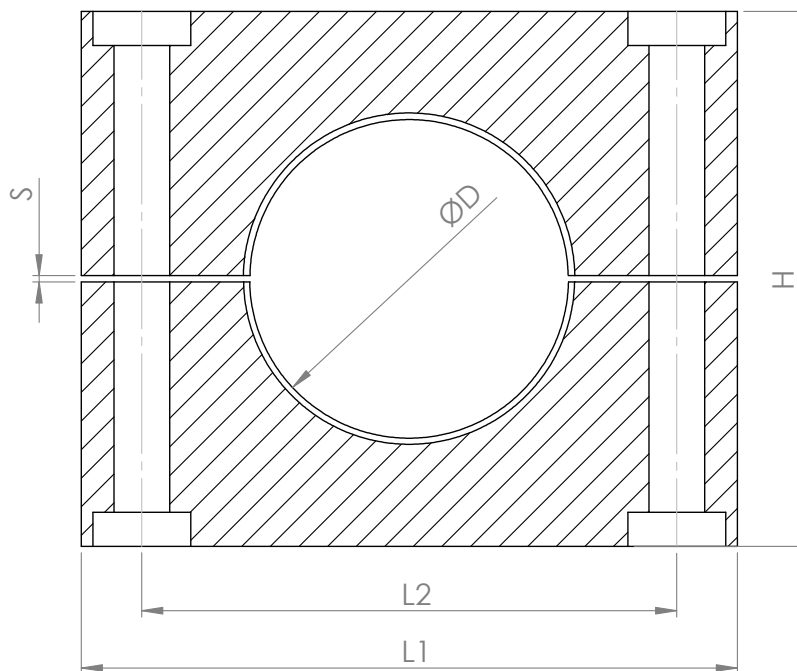


HEAVY SERIES - BODY

SERIE HEAVY - SOLO CORPO COLLARE

SCHWERE SERIE - SCHELLENKÖRPER

SÉRIE HEAVY - CORPS DE COLLIERS



HEAVY SERIES - BODY

CONTINUED

Group	Tridon Code	Ø mm	Ø inch	Dimension					Pkg.
				L1	L2	H1	H2	S min.	
A1	BTHA1006B	6		55	33	32	1	30	ON REQUEST
	BTHA10064B	6.4							ON REQUEST
	BTHA1008B	8							ON REQUEST
	BTHA10095B	9.5							ON REQUEST
	BTHA1010B	10	1/8"						ON REQUEST
	BTHA1012B	12							ON REQUEST
	BTHA10127B	12.7							ON REQUEST
	BTHA10135B	13.5	1/4"						ON REQUEST
	BTHA1014B	14							ON REQUEST
	BTHA1015B	15							ON REQUEST
	BTHA1016B	16							ON REQUEST
	BTHA10172B	17.2	3/8"						ON REQUEST
	BTHA1018B	18							ON REQUEST
	BTHA1020B	20							ON REQUEST
A2	BTHA2019B	19		70	45	45	1	30	ON REQUEST
	BTHA2020B	20							ON REQUEST
	BTHA20213B	21.3	1/2"						ON REQUEST
	BTHA2022B	22							ON REQUEST
	BTHA2025B	25							ON REQUEST
	BTHA20254B	25.4							ON REQUEST
	BTHA20269B	26.9	3/4"						ON REQUEST
	BTHA2028B	28							ON REQUEST
BTHA2030B	30		ON REQUEST						
A3	BTHA3030B	30		85	60	60	1	30	ON REQUEST
	BTHA3032B	32							ON REQUEST
	BTHA30337B	33.7	1"						ON REQUEST
	BTHA3035B	35							ON REQUEST
	BTHA3038B	38							ON REQUEST
	BTHA3040B	40							ON REQUEST
	BTHA30413B	41.3							ON REQUEST
BTHA3042B	42	1-1/4"	ON REQUEST						
A4	BTHA4038B	38		115	90	89	2	45	ON REQUEST
	BTHA4042B	42							ON REQUEST
	BTHA40445B	44.5							ON REQUEST
	BTHA40483B	48.3	1-1/2"						ON REQUEST
	BTHA40508B	50.8							ON REQUEST
	BTHA4054B	54							ON REQUEST
	BTHA4055B	55							ON REQUEST
	BTHA4057B	57							ON REQUEST
	BTHA40572B	57.2							ON REQUEST
	BTHA40603B	60.3	2"						ON REQUEST
	BTHA40635B	63.5							ON REQUEST
	BTHA4065B	65							ON REQUEST
BTHA4070B	70		ON REQUEST						

HEAVY SERIES - BODY

CONTINUED

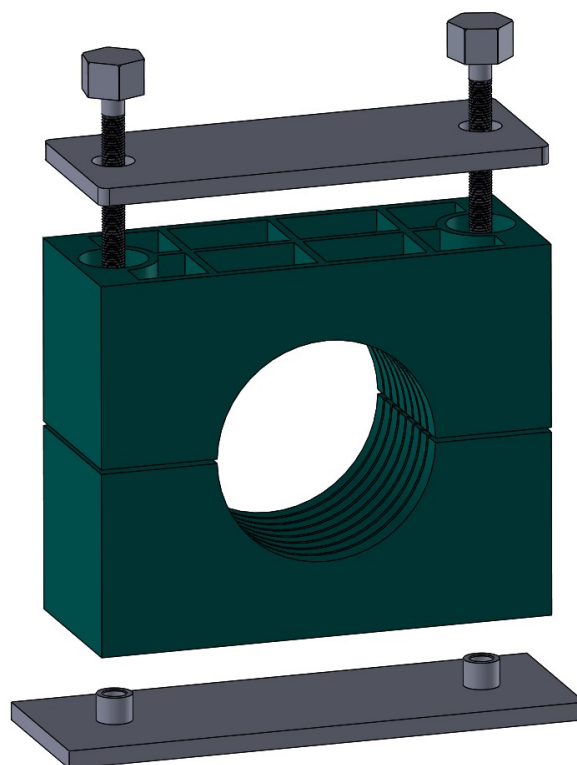
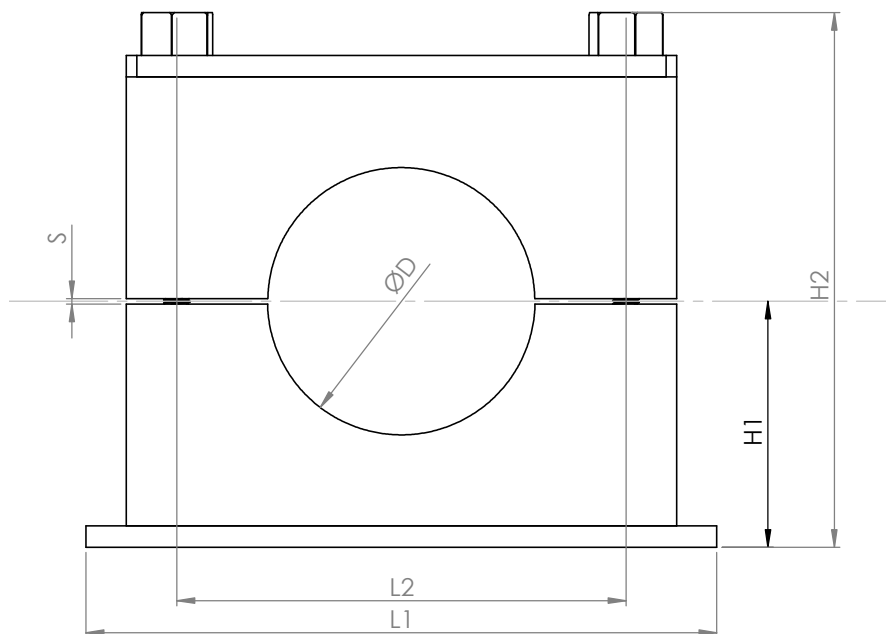
Group	Tridon Code	Ø mm	Ø inch	Dimension					Pkg.
				L1	L2	H1	H2	S min.	
A5	BTHA50603B	60.3		154	122	120	2	60	ON REQUEST
	BTHA5065B	65							ON REQUEST
	BTHA5070B	70							ON REQUEST
	BTHA5073B	73							ON REQUEST
	BTHA5075B	75							ON REQUEST
	BTHA50761B	76.1	2-1/2"						ON REQUEST
	BTHA5080B	80							ON REQUEST
	BTHA50825B	82.5							ON REQUEST
	BTHA50889B	88.9	3"						ON REQUEST
A6	BTHA60889B	88.9	3"	206	168	168	2	80	ON REQUEST
	BTHA6100B	100							ON REQUEST
	BTHA6102B	102							ON REQUEST
	BTHA61016B	101.6	3-1/2"						ON REQUEST
	BTHA6108B	108							ON REQUEST
	BTHA61143B	114.3	4"						ON REQUEST
	BTHA6127B	127							ON REQUEST
	BTHA6133B	133							ON REQUEST
A7	BTHA7127B	127		251	205	202	3	91	ON REQUEST
	BTHA7133B	133							ON REQUEST
	BTHA71397B	139.7	5"						ON REQUEST
	BTHA7140B	140							ON REQUEST
	BTHA7152B	152							ON REQUEST
	BTHA7159B	159							ON REQUEST
	BTHA7165B	165							ON REQUEST
	BTHA71683B	168.3	6"						ON REQUEST

HEAVY SERIES - DOUBLE PLATED

SERIE HEAVY COMPLETO

SCHWERE SERIE - DOPPELT PLATTIERT

SERIE HEAVY COMPLET



HEAVY SERIES - DOUBLE PLATED

CONTINUED

Group	Tridon Code	Ø mm	Ø inch	Dimension						Pkg.
				L1	L2	H1	H2	S min.	L mm	
A1	BTHA1006C	6		74	33	24	55	0.6	30	10
	BTHA10064C	6.4								10
	BTHA1008C	8								10
	BTHA10095C	9.5								10
	BTHA1010C	10	1/8"							10
	BTHA1012C	12								10
	BTHA10127C	12.7								10
	BTHA10135C	13.5	1/4"							10
	BTHA1014C	14								10
	BTHA1015C	15								10
	BTHA1016C	16								10
	BTHA10172C	17.2	3/8"							10
	BTHA1018C	18								10
	BTHA1020C	20								10
A2	BTHA2019C	19		86	45	32	71	0.6	30	10
	BTHA2020C	20								10
	BTHA20213C	21	1/2"							10
	BTHA2022C	22								10
	BTHA2025C	25								10
	BTHA20254C	25.4								10
	BTHA20269C	26.9	3/4"							10
	BTHA2028C	28								10
BTHA2030C	30		10							
A3	BTHA3030C	30		100	60	38	83	1	30	10
	BTHA3032C	32								10
	BTHA30337C	33.7	1"							10
	BTHA3035C	35								10
	BTHA3038C	38								10
	BTHA3040C	40								10
	BTHA30413C	41.3								10
	BTHA3042C	42	1-1/4"							10
A4	BTHA4038C	38		140	90	55	117	2	45	5
	BTHA4042C	42.0								5
	BTHA40445C	44.5								5
	BTHA40483C	48	1-1/2"							5
	BTHA40508C	50.8								5
	BTHA4054C	54								5
	BTHA4055C	55								5
	BTHA4057C	57								5
	BTHA40572C	57.2								5
	BTHA40603C	60.3	2"							5
	BTHA40635C	63.5								5
	BTHA4065C	65								5
BTHA4070C	70		5							

HEAVY SERIES - DOUBLE PLATED

CONTINUED

Group	Tridon Code	Ø mm	Ø inch	Dimension						Pkg.
				L1	L2	H1	H2	S min.	L mm	
A5	BTHA50603C	60.3		180	122	68	146	2	60	5
	BTHA5065C	65								5
	BTHA5070C	70								5
	BTHA5073C	73								5
	BTHA5075C	75								5
	BTHA50761C	76.1	2-1/2"							5
	BTHA5080C	80								5
	BTHA50825C	82.5								5
	BTHA50889C	88.9	3"							5
A6	BTHA60889C	88.9	3"	226	168	99	211	2	80	2
	BTHA6100C	100								2
	BTHA61016C	101.6	3-1/2"							2
	BTHA6102C	102								2
	BTHA6108C	108								2
	BTHA61143C	114.3	4"							2
	BTHA6127C	127								2
	BTHA6133C	133								2
A7	BTHA7127C	127		270	205	115	245	3	90	2
	BTHA7133C	133								2
	BTHA71397C	139.7	5"							2
	BTHA7140C	140								2
	BTHA7152C	152								2
	BTHA7159C	159								2
	BTHA7165C	165								2
	BTHA71683C	168.3	6"							2

HEAVY SERIES - COMPONENTS

SERIE HEAVY - COMPONENTI

SCHWERE SERIE - KOMPONENTEN

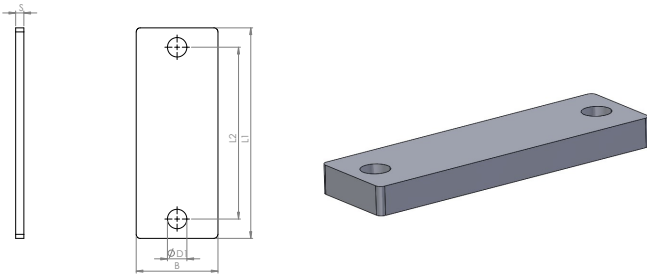
SERIE HEAVY - COMPOSANTS

COVER PLATE

PIASTRA SUPERIORE

ABDECKPLATTE

PLAQUE SUPERIEURE



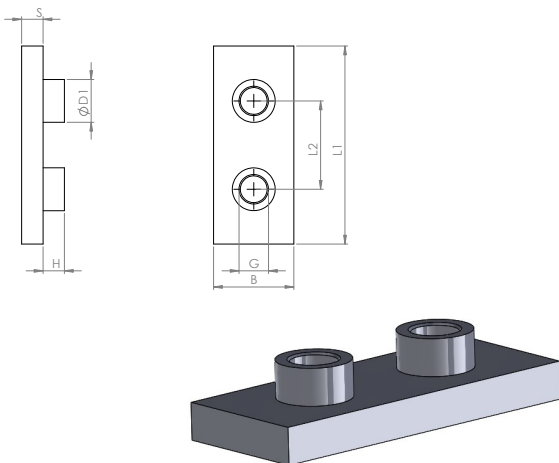
Group	Tridon Code	Dimension				
		L1	L2	B	S	Ø
A1	BTHCA1	55	33	30	8	11
A2	BTHCA2	70	45	30	8	11
A3	BTHCA3	85	60	30	8	11
A4	BTHCA4	115	90	45	10	14
A5	BTHCA5	152	122	60	10	19
A6	BTHCA6	206	168	80	15	22
A7	BTHCA7	251	205	90	15	26

WELD PLATE

PIASTRA A SALDARE

SCHWEIßPLATTE

PLAQUE SOUDEE



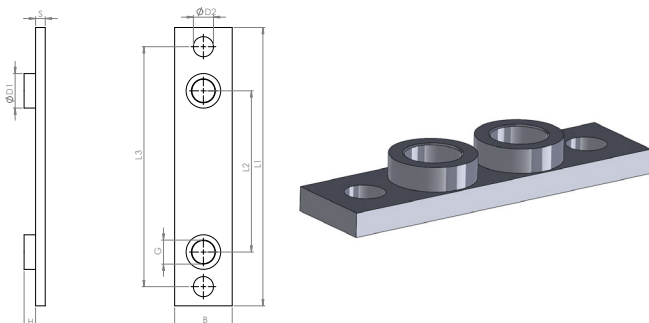
Group	Tridon Code	Dimension						
		L1	L2	H	S	G	B	Ø D1
A1	BTHWA1	76	33	8	8	M10	30	18
A2	BTHWA2	87	45	8	8	M10	30	18
A3	BTHWA3	100	60	8	8	M10	30	18
A4	BTHWA4	142	90	8	10	M12	45	20
A5	BTHWA5	180	122	12	10	M16	60	24
A6	BTHWA6	226	168	18	15	M20	80	30
A7	BTHWA7	270	205	21	15	M24	90	35

ELONGATED WELD PLATE

PIASTRA A SALDARE LUNGA

LANGE SCHWEIßPLATTE

PLAQUE SOUDÉE ALLONGÉE



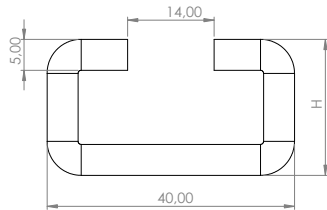
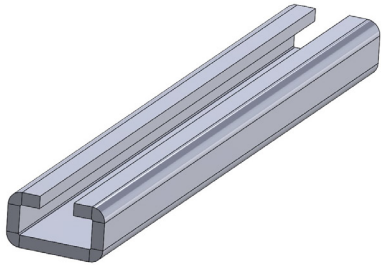
Group	Tridon Code	Dimension					
		L1	L2	L3	H	S	Ø D2
A1	BTHWLA1	113	33	85	8	8.0	13
A2	BTHWLA2	125	45	97	8	8.0	13
A3	BTHWLA3	140	60	112	8	8.0	13
A4	BTHWLA4	187	90	155	8	10.0	16
A5	BTHWLA5	238	122	198	12	10.0	21
A6	BTHWLA6	309	168	259	18	15.0	26
A7	BTHWLA7	370	205	310	21	15.0	31

HEAVY SERIES - COMPONENTS

CONTINUED

MOUNTING RAIL

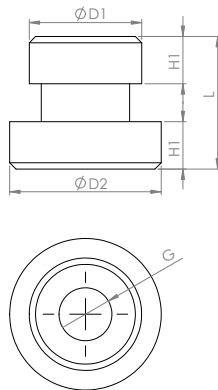
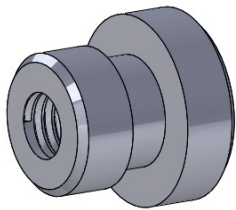
BINARIO DI MONTAGGIO
MONTAGESCHIENE
RAIL DE FIXATION



Group	Tridon Code	Dimension	
		H mm	Length (mm)
ON REQUEST		55	33
ON REQUEST		70	45

RAIL NUT

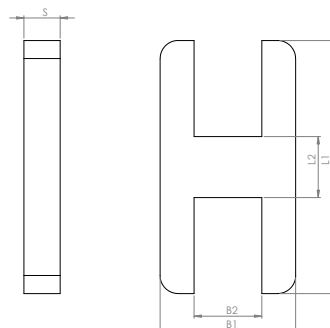
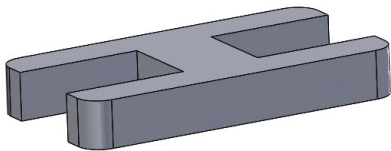
DADO FISSAGGIO PER BINARIO
SCHIENENBEFESTIGUNGSMUTTER
ÉCROU DE FIXATION DU RAIL



Group	Tridon Code	Dimension				
		L1	H1	Ø D1	Ø D2	G
A1	BTHCNM10	21	8	18	24	M10
A2						
A3	BTHCNM12	21	8	18	24	M12
A4						

SAFETY LOCKING PLATE

PIASTRA DI SICUREZZA SUPERIORE
SICHERHEITSVERRIEGELUNGSPLATTE
PLAQUE DE VERROUILLAGE DE SÉCURITÉ



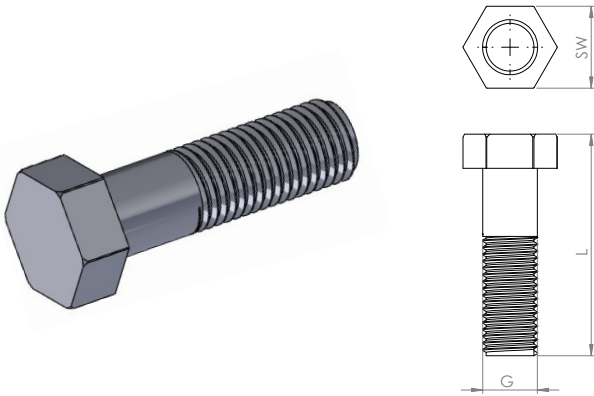
Group	Tridon Code	Dimension				
		L1	L2	B1	B2	S
A1	BTHSFPA1	57	13	30	15	8.0
A2	BTHSFPA2	70	26	30	15	8.0
A3	BTHSFPA3	85	40	30	15	8.0
A4	BTHSFPA4	116	68	45	17	10.0
A5	BTHSFPA5	153	96	60	22	10.0
A6	BTHSFPA6	206	130	80	28	15.0
A7	BTHSFPA7	251	166	90	31	15.0

HEAVY SERIES - COMPONENTS

CONTINUED

HEXAGON HEAD BOLT DIN 931/933 - ISO 4014

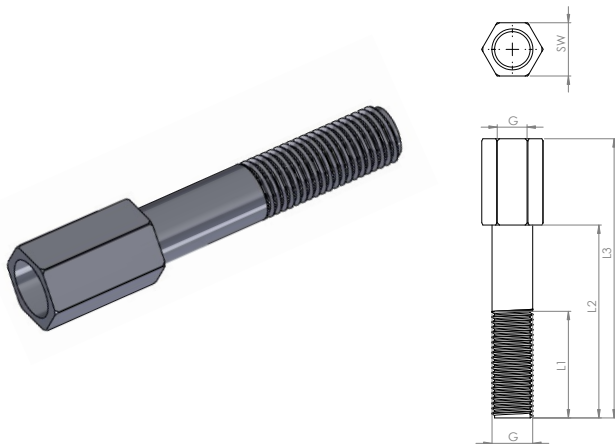
BULLONE TESTA ESAGONALE DIN 931/933 - ISO 4014
 M6 SECHSKANTSCHRAUBE DIN 931/933 - ISO 4014
 BOULON À TÊTE HEXAGONALE DIN 931/933 - ISO 4014



Group	Tridon Code	Dimension	
		G	L mm
A1	BTHBA1	M10	45.0
A2	BTHBA2	M10	60.0
A3	BTHBA3	M10	70.0
A4	BTHBA4	M12	100.0
A5	BTHBA5	M16	130.0
A6	BTHBA6	M20	190.0
A7	BTHBA7	M24	220.0

STAKING BOLT

BULLONE TESTA ESAGONALE
 SECHSKANTSCHRAUBE
 BOULON D'ANCRAGE



Group	Tridon Code	Dimension				
		G	L1 mm	L2 mm	L3 mm	SW
A1	BTHSTKBA1	M10	46	25	20	15
A2	BTHSTKBA2	M10	62	42	20	15
A3	BTHSTKBA3	M10	73	53	20	15
A4	BTHSTKBA4	M12	108	82	35	17
A5	BTHSTKBA5	M16	144	110	24	19
A6	BTHSTKBA6	M20	200	151	30	27
A7	BTHSTKBA7	M24	240	180	50	30

HEAVY SERIES - ON REQUEST

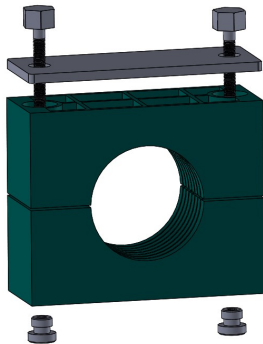
SERIE HEAVY - ALTRE TIPOLOGIE SU RICHIESTA

SCHWERE SERIE - ANDERE TYPEN AUF ANFRAGE

SERIE HEAVY - SUR DEMANDE

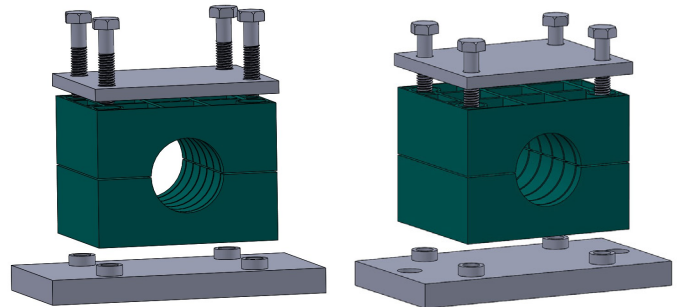
RAIL NUT TYPE

VERSIONI CON DADO PER
FISSAGGIO SU BINARIO
TYP MIT SCHIENENMUTTER
TYPE AVEC ÉCROU DE RAIL



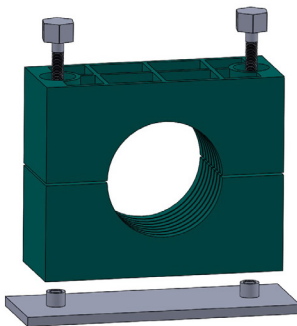
DOUBLE CLAMP TYPES

VERSIONI DOPPIE
TYP DOPPELKLEMMME
VERSION DOUBLE



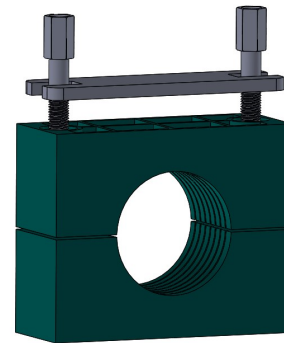
VERSIONS WITH WELDING PLATE

VERSIONI CON PIASTRA A SALDARE
VERSIONEN MIT SCHWEISSPLATTE
VERSIONS AVEC PLAQUE SOUDEE



CLAMP UPPER SET

VERSIONI SOVRAPPONIBILE
OBERER KLEMMENSATZ
VERSIONS SUPERPOSABLES



COMPLETE TYPE WITH ELONGATED WELD PLATE

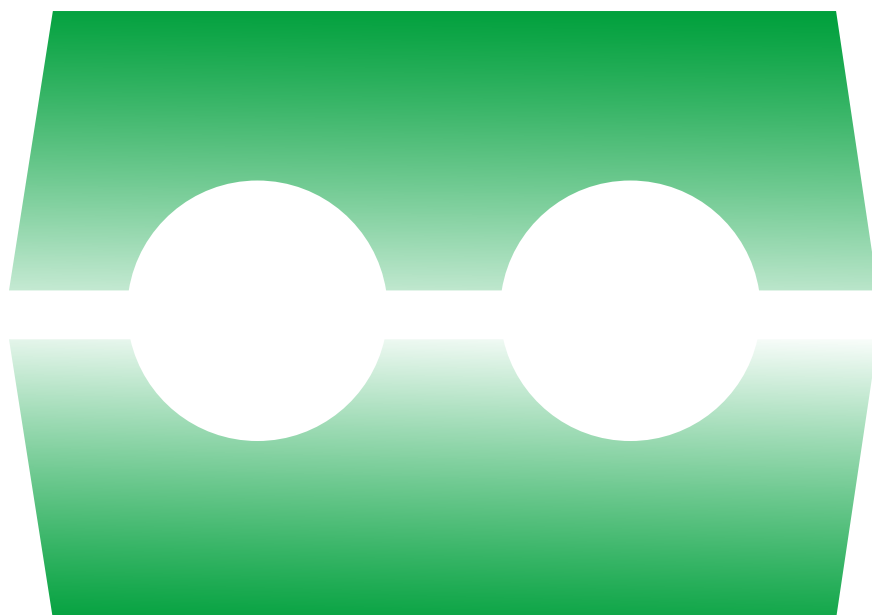
VERSIONE COMPLETA CON PIASTRA A SALDARE ALLUNGATA
KOMplette AUSFÜHRUNG MIT LÄNGSSCHWEISSPLATTE
VERSION COMPLÈTE AVEC PLAQUE DE SOUDAGE LONGITUDINALE



TWIN SERIES DIN 3015/3

SERIE DOPPIA DIN 3015/3

SERIE TWIN DIN 3015/3

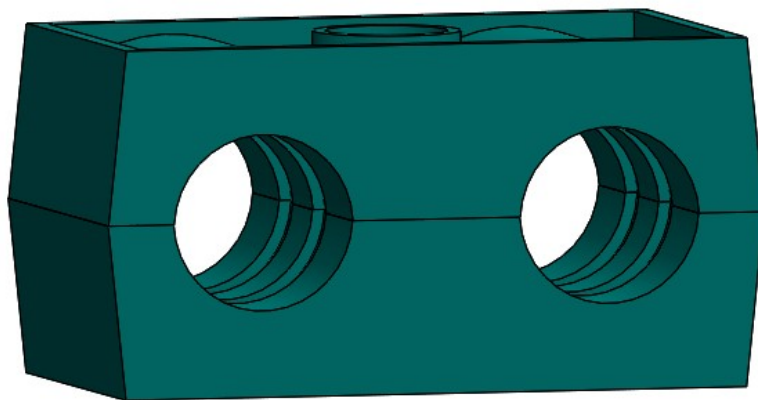
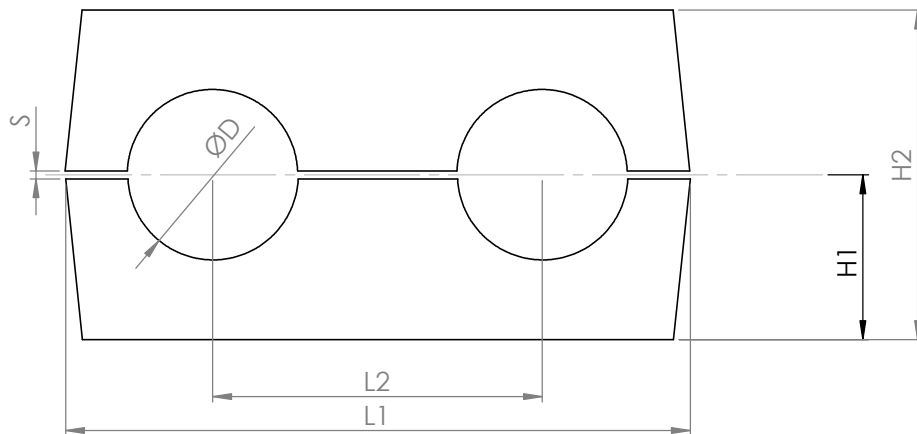


TWIN SERIES - BODY

SERIE TWIN - SOLO CORPO

TWIN-SERIE - NUR KÖRPER

SERIE TWIN - CORPS



TWIN SERIES - BODY ONLY

CONTINUED

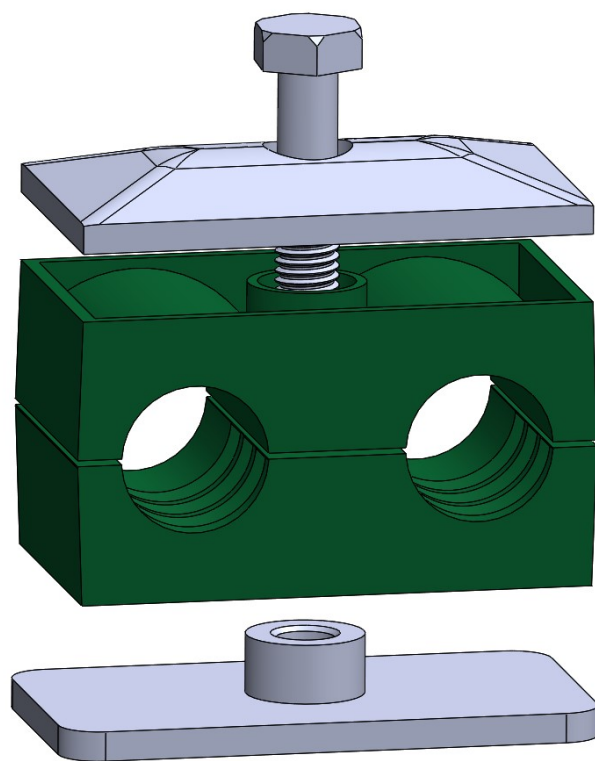
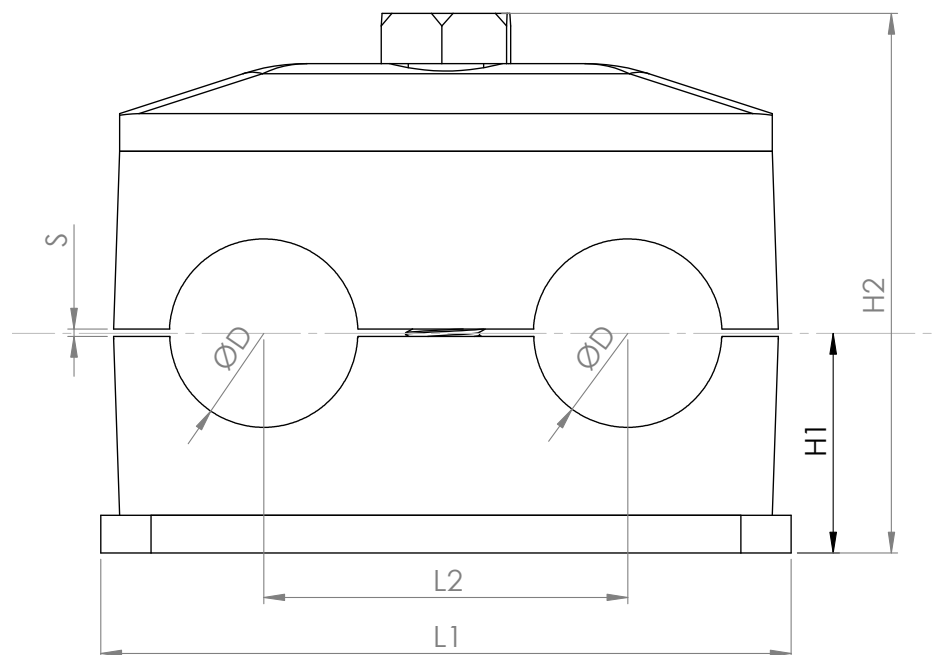
Group	Tridon Code	Ø mm	Ø inch	Dimension					Pkg.
				L1	L2	H1	H2	S min.	
I1	BTTI1006006B	6		36	20	14	27	0.6	100
	BTTI100640064B	6.4							100
	BTTI1008008B	8							100
	BTTI100950095B	9.5							100
	BTTI1010010B	10	1/8"						100
	BTTI1012012B	12							100
I2	BTTI201270127B	12.7		53	29	12	26	0.7	100
	BTTI201350135B	13.5	1/4"						100
	BTTI2014014B	14							100
	BTTI2015015B	15							100
	BTTI2016016B	16							100
	BTTI201720172B	17.2	3/8"						100
	BTTI2018018B	18							100
I3	BTTI3019019B	19		67	36	18	37	0.7	100
	BTTI3020020B	20							100
	BTTI302130213B	21.3	1/2"						100
	BTTI3022022B	22							100
	BTTI3025025B	25							100
	BTTI302540254B	25.4							100
I4	BTTI402690269B	26.9		82	45	19	40	0.7	50
	BTTI4028028B	28	3/4"						50
	BTTI4030030B	30							50
I5	BTTI5032032B	32		105	56	26	54	0.7	50
	BTTI503370337B	33.7	1"						50
	BTTI5035035B	35							50
	BTTI5038038B	38							50
	BTTI5040040B	40							50
	BTTI5042042B	42	1-1/4"						50

TWIN SERIES - DOUBLE PLATED

SERIE TWIN COMPLETO

TWIN-SERIE DOPPELT PLATTIERT

SERIE TWIN - COMPLETE



TWIN SERIES - DOUBLE PLATED

CONTINUED

Group	Tridon Code	Ø mm	Ø inch	Dimension					Pkg.
				L1	L2	H1	H2	S min.	
11	BTTI1006006C	6		37	20	16	40	0.6	25
	BTTI100640064C	6.4							25
	BTTI1008008C	8							25
	BTTI100950095C	9.5							25
	BTTI1010010C	10	1/8"						25
	BTTI1012012C	12							25
12	BTTI201270127C	12.7		55	29	18	42	0.7	25
	BTTI201350135C	13.5	1/4"						25
	BTTI2014014C	14							25
	BTTI2015015C	15							25
	BTTI2016016C	16							25
	BTTI201720172C	17.2	3/8"						25
	BTTI2018018C	18							25
13	BTTI3019019C	19		70	36	22	52	0.7	25
	BTTI3020020C	20							25
	BTTI302130213C	21.3	1/2"						25
	BTTI3022022C	22							25
	BTTI3025025C	25							25
	BTTI302540254C	25.4							25
14	BTTI402690269C	26.9		85	45	24	58	0.7	15
	BTTI4028028C	28	3/4"						15
	BTTI4030030C	30							15
15	BTTI5032032C	32		110	56	31	70	0.7	10
	BTTI503370337C	33.7	1"						10
	BTTI5035035C	35							10
	BTTI5038038C	38							10
	BTTI5040040C	40							10
	BTTI5042042C	42							10

TWIN SERIES - COMPONENTS

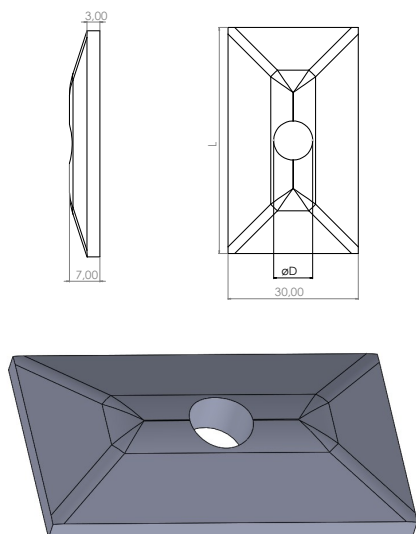
SERIE TWIN - COMPONENTI

TWIN SERIE - KOMPONENTEN

SERIE TWIN - COMPOSANTS

COVER PLATE

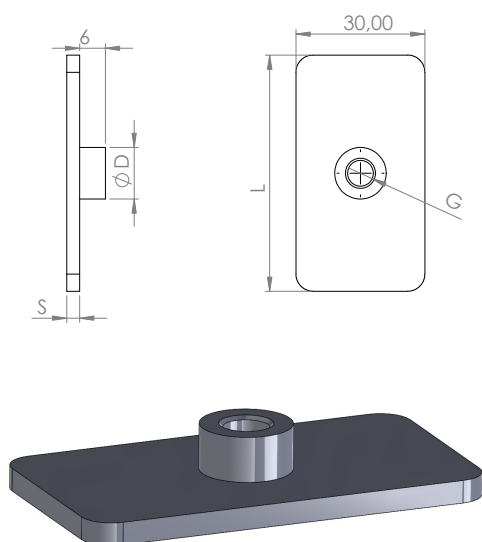
PIASTRA SUPERIORE
ABDECKPLATTE
PLAQUE SUPERIEURE



Group	Tridon Code	Dimension	
		L mm	Ø D
I1	BTTCI1	36.5	7.0
I2	BTTCI2	53.5	9.0
I3	BTTCI3	67.5	9.0
I4	BTTCI4	79.0	9.0
I5	BTTCI5	96.0	9.0

WELD PLATE

PIASTRA A SALDARE
SCHWEIßPLATTE
PLAQUE SOUDEE



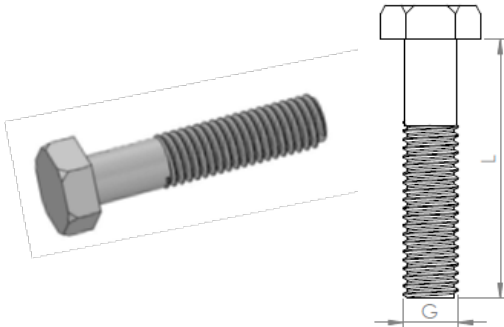
Group	Tridon Code	Dimension			
		L1 mm	L2 mm	S mm	G
I1	BTTWI1	37.0	3.0	12	M6
I2	BTTWI2	55.0	5.0	14	M8
I3	BTTWI3	70.0	5.0	14	M8
I4	BTTWI4	85.0	5.0	14	M8
I5	BTTWI5	110.0	5.0	14	M8

TWIN SERIES - COMPONENTS

CONTINUED

HEXAGON HEAD BOLT DIN 931/933 - ISO 4014

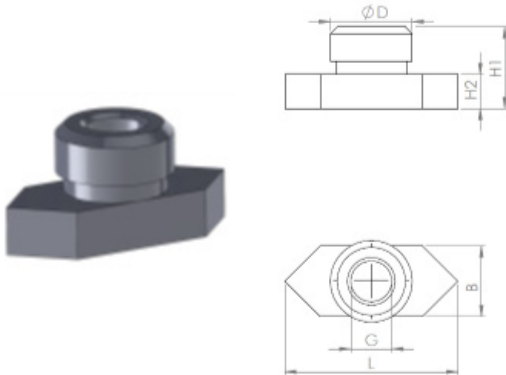
BULLONE TESTA ESAGONALE DIN 931/933 - ISO 4014
 M6 SECHSKANTSCHRAUBE DIN 931/933 - ISO 4014
 BOULON À TÊTE HEXAGONALE DIN 931/933 - ISO 4014



Group	Tridon Code	Dimension	
		G	L mm
I1	BTHBG2	M6	35.0
I2	BTHBI1	M8	35.0
I3	BTHBI2	M8	45.0
I4	BTHBI3	M8	50.0
I5	BTHBI4	M8	60.0

RAIL NUT

DADO FISSAGGIO PER BINARIO
 SCHIENENBEFESTIGUNGSMUTTER
 ÉCROU DE FIXATION DU RAIL



Group	Tridon Code	Dimension					
		L mm	B mm	H1 mm	H2 mm	Ø D	G
I1	BTTNIM6	25.0	10.4	13.0	5.0	12.0	M6
I2	BTTNIM8	25.0	10.4	13.0	5.0	12.0	M8
I3							
I4							
I5							

TWIN SERIES - ON REQUEST

SERIE TWIN - ALTRE TIPOLOGIE SU RICHIESTA

TWIN SERIE - ANDEREN TYPEN AUF ANFRAGE

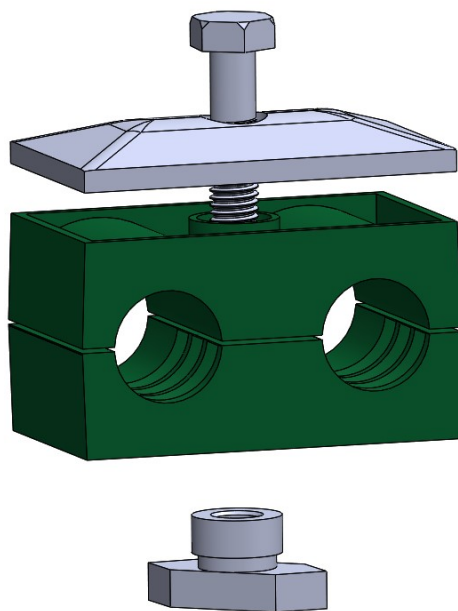
TWIN SERIE - SUR DEMANDE

RAIL NUT TYPE

VERSIONI CON DADO PER FISSAGGIO SU BINARIO

TYP MIT SCHIENENMUTTER

TYPE ECROU A RAIL

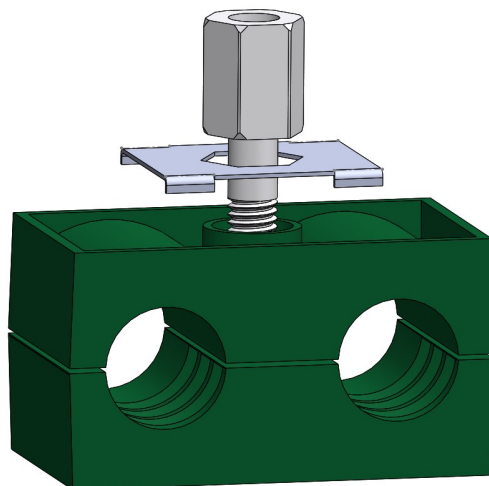


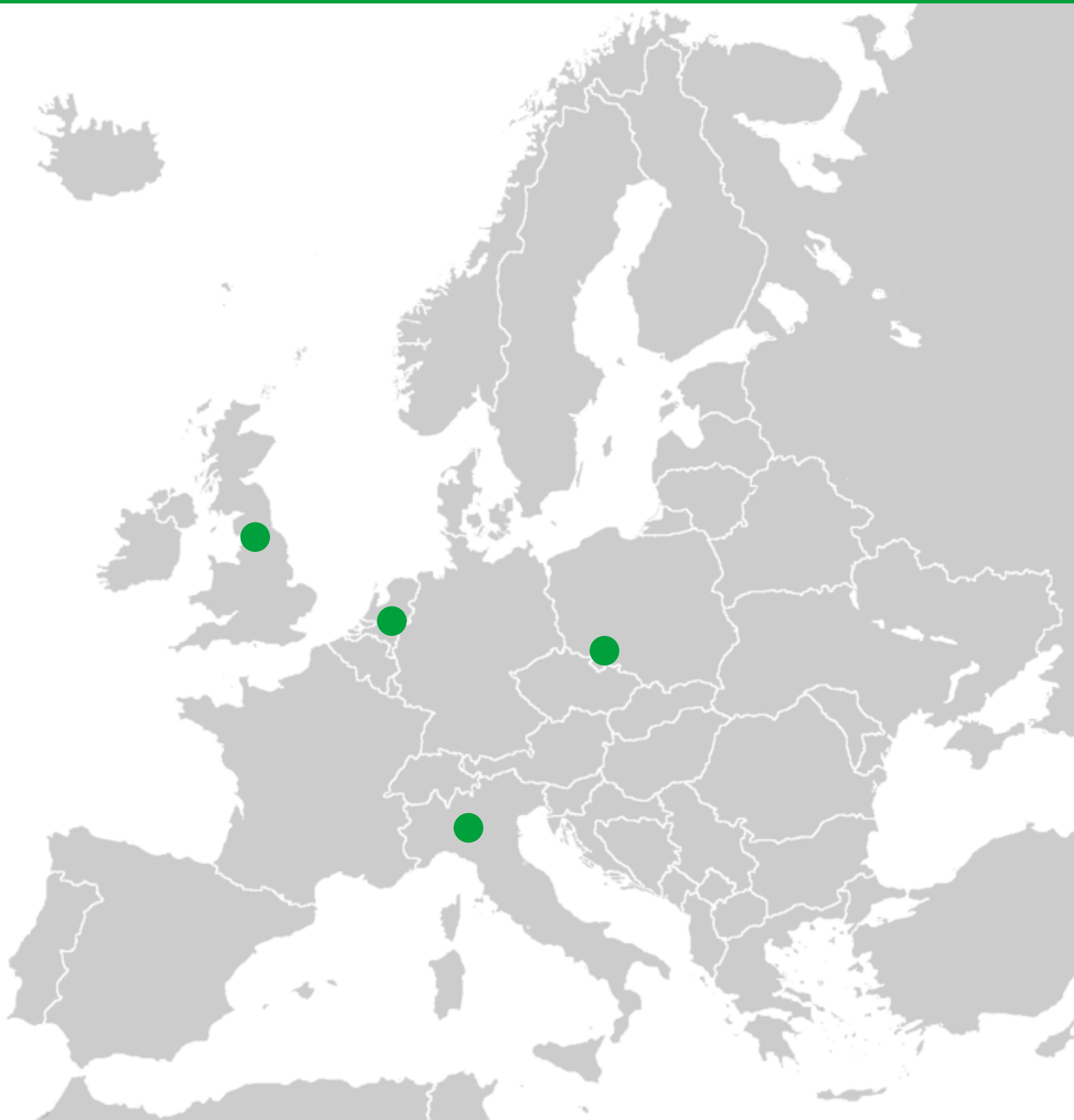
COLLAR TYPE WITH UPPER SET

VERSIONI CON PIASTRA A SOVRAPPONIBILE

VERSION MIT OBEREN KLEMMENSATZ

VERSIONS AVEC PLAQUE SUPERPOSABLE





TRIDON EMEA srl
MILAN, ITALY
Tel. +39 02.9803211
E-mail: support@clamp.it

TRIDON EMEA sp. z.o.o.
KUDOWA, POLAND
Tel. +48 74735220
E-mail: mzukowska@tridon.eu

TRIDON EMEA b.v.
HEERENVEEN, THE NETHERLANDS
Tel. +31 (0) 513465477
E-mail: mpcorder@tridon.eu

TRIDON EMEA Ltd.
WEST YORKSHIRE, UK
Tel. +44 (01535) 669216
E-mail: sales@advanced-couplings.com

NOTE / NOTIZEN

TRIDON 

Tridon EMEA SRL

Via dell'Artigianato, 1
20070 Cerro al Lambro (MI)

Tel. +39 02 9803211

support@clamp.it

www.clamp.it