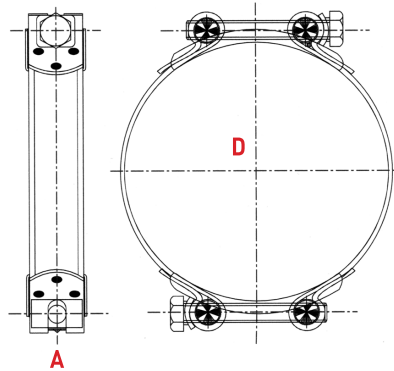


# Bi-Blok

Bolt clamps with double locking system, used for heavy duty applications and large diameters.



CODE	RANGE Ø D mm	BAND WIDTH A mm	BAND THICKNESS mm	BOLT
BC079	74-79	30	1,7	10MA
BC085	80-85			
BC091	86-91			
BC097	92-97			
BC103	98-103			
BC112	104-112			
BC121	113-121			
BC130	122-130			
BC139	131-139			
BC148	140-148			
BC161	149-161			
BC174	162-174			
BC187	175-187			
BC200	188-200			
BC220	200-220			
BC240	220-240			
BC260	240-260			
BC280	260-280			
BC300	280-300			
BC325	300-325			
BC350	325-350			
BC375	350-375			
BC400	375-400			
BC425	400-425			
BC450	425-450			
BC475	450-475			
BC500	475-500			



## MATERIALS



- Zinc plated steel
- Bolt and nut: 8,8 steel
- Surface treatment: RoHS compliant zinc coating



For further details see pag. 74-75



## APPLICATIONS

- Agriculture and irrigation
- Special vehicles
- Building equipment
- General industry



- Burrs welding: spot-welding ensures high tear resistance