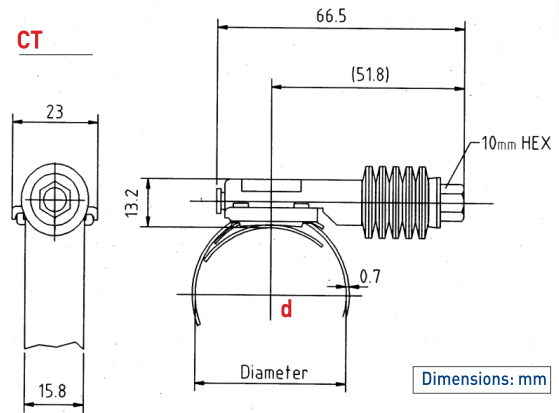
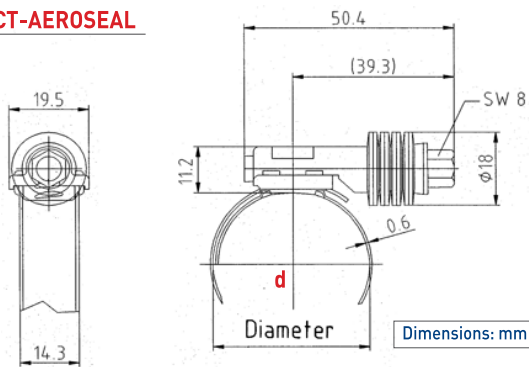


CT (constant torque)

CT clamps are designed to adjust to the hose to respond temperature fluctuations. The thermal compensation given by the Belleville spring provides a uniform high tightening torque. Against leakage occurring with non-compensating clamps, CT use reduces maintenance and refill costs.



CT-AEROSEAL



CODE	RANGE Ø	TIGHTENING TORQUE
CT-AEROSEAL	mm	Nm
CT-9408	13-23	6,5
CT-9410	14-27	
CT-9412	17-32	
CT-9416	21-38	
CT-9420	21-44	

CODE	RANGE Ø	TIGHTENING TORQUE
CT	mm	Nm
CT-175	25-45	9,0
CT-200	32-54	
CT-250	45-67	
CT-300	57-79	
CT-350	70-92	
CT-400	83-105	
CT-450	95-118	
CT-500	108-130	
CT-550	121-143	
CT-600	133-156	
CT-650	146-168	
CT-700	159-181	
CT-750	172-194	
CT-800	184-206	
CT-850	197-219	
CT-900	210-232	



MATERIALS



304 SS band and housing
* 410 SS screw



For further details see pag. 74-75



APPLICATIONS

- Cooling systems
- Air conducting system
- Engine exhaust systems
- Charged air system - Intercooler