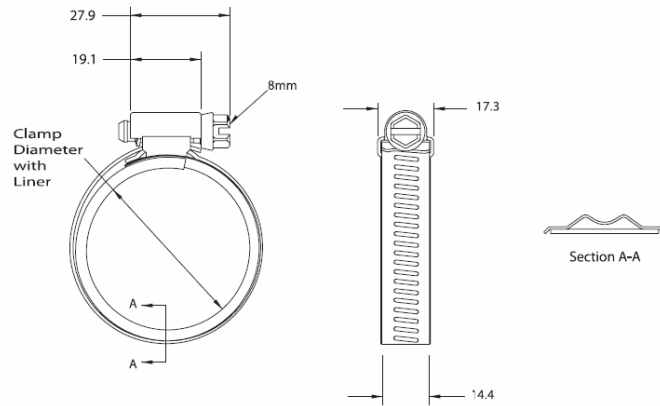


# Wave seal

Optimal clamp in case of diameter variations due to pressure and temperature changes. The uniquely designed inner ring creates a steady 360° seal preventing unwanted leakage.



## MATERIALS



- 304 SS band, housing, screw and inner ring

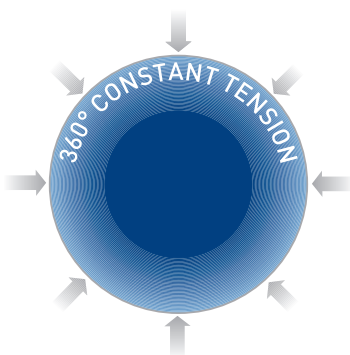


## APPLICATIONS

- Cooling systems
- Air conducting systems
- Engine exhaust systems
- Charged air system - intercooler



For further details see pag. 74-75



- Reduced maintenance costs
- Easy fit in tight spaces

CODE	RANGE Ø
	mm
IC033W	21-33
IC035W	27-35
IC040W	26-40
IC043W	29-43
IC046W	30-46
IC052W	34-52
IC059W	39-59
IC062W	41-62
IC065W	43-65
IC071W	46-71
IC078W	52-78
IC084W	56-84
IC091W	60-91
IC097W	64-97
IC103W	68-103
IC110W	71-110
IC122W	81-122
IC135W	90-135
IC148W	97-148