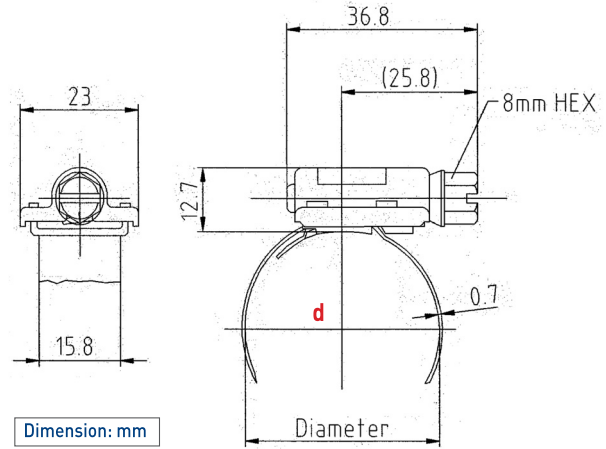


# HTM (hi-torque)

High-torque clamp, superior performance than usual worm-drive clamps. Its strength and the engagement of 8 screw threads to the band make it particularly suitable for high-pressure and high-vibration applications. A protective inner liner prevents any damage to the hose.



## MATERIALS



304 SS band and housing  
\* 410 SS screw



For further details see pag. 74-75



## APPLICATIONS

- Earth moving machines
- Engines
- Agricultural
- Heavy vehicles
- Shipyards



## ON REQUEST

Available in 316 SS

CODE	RANGE Ø mm	TIGHTENING TORQUE Nm
HTM-175	25-45	12
HTM-200	32-54	
HTM-250	45-67	
HTM-300	57-79	
HTM-350	70-92	
HTM-400	83-105	
HTM-450	95-118	
HTM-500	108-130	
HTM-550	121-143	
HTM-600	133-156	
HTM-650	146-168	
HTM-700	159-181	
HTM-750	172-194	
HTM-800	184-206	
HTM-850	197-219	
HTM-900	210-232	