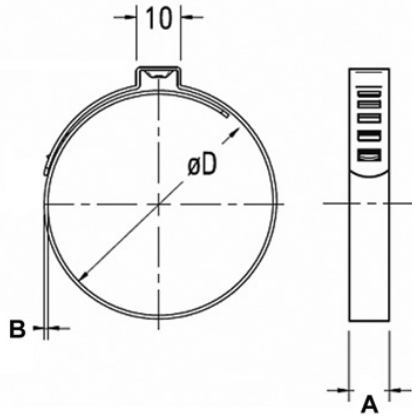


CP

Ear clamps used to fasten bellows, rubber hoses and cv boots. Their smooth inside makes them suitable for both soft rubber and high shore-hardness hoses.



CODE	RANGE Ø mm	BAND WIDTH A mm	BAND THICKNESS B mm
CP72430	24-30	7	0,8
CP73137	31-37		
CP73844	38-44		
CP74551	45-51		
CP75258	52-58		
CP75965	59-65		
CP76672	66-72		
CP77379	73-79		
CP78086	80-86	9	1,0
CP78793	87-93		
CP994100	94-100		
CP97379	73-79		
CP98086	80-86		
CP98793	87-93		
CP994100	94-100		
CP9101107	101-107		
CP9108114	108-114		
CP9115121	115-121		



MATERIALS



- RoHS compliant zinc plated steel



- 304 SS *on request



For further details see pag. 74-75



APPLICATIONS

- Automotive, OEM and after-market
- Motorcycle OEM



CL TEN 1099
(pneumatic pliers available on request)