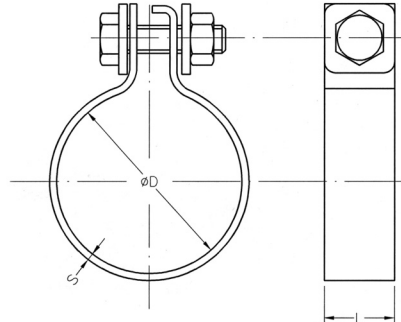


Heavy bolt clamps

Heavy Bolt Clamps for exhaust systems and metallic pipes.



CODE	RANGE Ø D mm	BAND WIDTH A mm	BAND THICKNESS mm	BOLT
P038	37-39	25	2,5	10MA x 35 mm
P040	39-41			
P043	42-44			
P045	44-46			
P048	47-49			
P050	49-51			
P053	52-54			
P055	54-56			
P057	56-58			
P060	59-61			
P063	62-64			
P065	64-66			
P068	67-69			
P070	69-71			
P073	72-74			
P076	75-77			
P078	77-79			
P080	79-81			
P083	82-84	30	2,5	10MA x 45 mm
P086	85-88			
P089	88-91			
P092	91-95			
P098	96-101			
P103	102-105			
P106	105-109			
P108	107-112			
P114	113-118			
P116	115-120			



MATERIALS



• RoHS compliant zinc plated steel.



For further details see pag. 74-75



APPLICATIONS

- Agriculture and irrigation
- Special vehicles and tankers
- Building equipment
- General industry