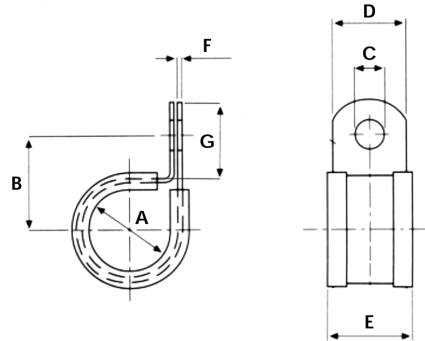


# Serie PAS clips

Stainless steel clips. The metal band has a sheathing that prevents damage to cables or hoses. PAS clips are a versatile fastening system. The profile is an excellent insulator that absorbs jolts and vibrations.



CODE	BAND WIDTH	WITH COVER	THICKNESS	DISTANCE
	D mm	E mm	F mm	G mm
PAS006 > PAS014	16	19	0,6	20
PAS016 > PAS040	16	19	0,8	20
PAS020/20 > PAS120/20	20	24	1	25
PAS025/25 > PAS120/25	25	28		



The stainless steel offers high rip resistance (the critical point in the reduced band area around the hole).



## MATERIALS



• 430 SS



• 304 SS



• 316 SS



For further details see pag. 74-75



## APPLICATIONS

- Railways
- Automotive
- Shipyards
- Engines



## PROTECTION

**Standard profile:**

- PVC

**On request:**

- Continuous sheath along the whole band
- EPDM, EPDM norms UNI CEI 11170, Silicon



On request without cover or with complete sheath.

### CLIPS WITHOUT COVER

Clips are made in 430 SS, with band widths 16, 20 and 25 mm. Diameters available from 5 to 60 mm. Other shapes, dimensions and materials also available on request.



CODE		DIAMETER	DISTANCE (tolerance +/- 1,5)	FASTENING HOLE	PACKAGING
W3 16 mm band	W4 16 mm band	A mm	B mm	C mm	box
PAS006	PAS006SS	6	15	Standard: 8,5 on request 6,5 e 5,5	100 PCS.
PAS008	PAS008SS	8	16		
PAS010	PAS010SS	10	17		
PAS012	PAS012SS	12	18		
PAS014	PAS014SS	14	19		
PAS016	PAS016SS	16	20		
PAS018	PAS018SS	18	21		
PAS020	PAS020SS	20	22		
PAS022	PAS022SS	22	23		
PAS025	PAS025SS	25	24,5		
PAS028	PAS028SS	28	26		
PAS030	PAS030SS	30	27		
PAS032	PAS032SS	32	28		
PAS035	PAS035SS	35	29,5		
PAS040	PAS040SS	40	32		

CODE		DIAMETER	DISTANCE (tolerance +/- 1,5)	FASTENING HOLE	PACKAGING
W3 20 mm band	W3 25 mm band	A mm	B mm	C mm	box
PAS020/20	-	20	26	Standard: 10,5 on request 8,5 e 6,5	50 PCS.
PAS022/20	-	22	27		
PAS025/20	PAS025/25	25	28,5		
PAS028/20	PAS028/25	28	30		
PAS030/20	PAS030/25	30	31		
PAS032/20	PAS032/25	32	32		
PAS035/20	PAS035/25	35	33,5		
PAS040/20	PAS040/25	40	36		
PAS045/20	PAS045/25	45	38,5		
PAS050/20	PAS050/25	50	41		
PAS055/20	PAS055/25	55	43,5		
PAS060/20	PAS060/25	60	46		
PAS065/20	PAS065/25	65	48,5		
PAS070/20	PAS070/25	70	51		
PAS075/20	PAS075/25	75	53,5		
PAS080/20	PAS080/25	80	56		
PAS085/20	PAS085/25	85	58,5		
PAS090/20	PAS090/25	90	61		
PAS095/20	PAS095/25	95	63,5		
PAS100/20	PAS100/25	100	66		
PAS110/20	PAS110/25	110	71		
PAS120/20	PAS120/25	120	76		