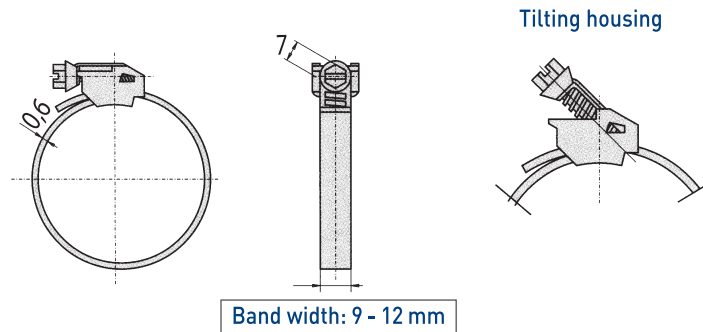


Hi-Flex VN - VNS

Tilting housing worm-drive clamps guarantee versatile and quick application especially on large diameter hoses. The toothed band and the bevelled edges protect the hose from damages.



MATERIALS



430 SS band and housing, RoHS compliant zinc plated screw.



For further details see pag.74-75



APPLICATIONS

- Air conditioning, ventilation systems and exhaust fan
- Large-diameter flexible hoses



On request: worm drive clamps with welded bridge for rubber or pvc hoses with metallic spirals

CODE	CODE	RANGE Ø	TIGHTENING TORQUE
9 mm	12 mm	mm	Nm
VN027	N.D.	16-27	4 for 9 mm
VN035	N.D.	20-35	
VN047	N.D.	20-47	
VN050	VNS050	30-50	
VN060	VNS060	30-60	
VN 070	VNS070	40-70	
VN 080	VNS080	40-80	
VN090	VNS090	40-90	
VN100	VNS100	60-100	
VN115	VNS115	60-115	
VN125	VNS125	60-125	-
VN145	VNS145	60-145	7 for 12 mm
VN175	VNS175	60-175	
VN215	VNS215	60-215	
VN288	VNS288	60-288	
VN320	VNS320	60-320	
VN370	VNS370	60-370	
VN420	VNS420	60-420	
VN540	VNS540	60-540	
VN650	VNS650	60-650	
VN750	VNS750	60-750	

Box quantity 100 pcs.